

MODEL 1846s

200 Amp DC Amp-Hour indicator assembly

This device performs the integration function to accurately display the accumulated ampere-hours of an energy transfer process.



Specifications

Display:

5-Digit Very Bright LED

Display Range: 0 to 99999 Amp Hours

Input to shunt: 200 ADC maximum (Other ranges available)

Reset: Front Panel

Supply Voltage: 90 to 260 VAC

Housing Dimensions: 48 X 96 mm

Data Retention with EEPROM: 10 years

Noise Immunity acc. to EN50081-2; EN 55011 class B;
EN50082-2

Ambient Temperature: -10C ...+50C

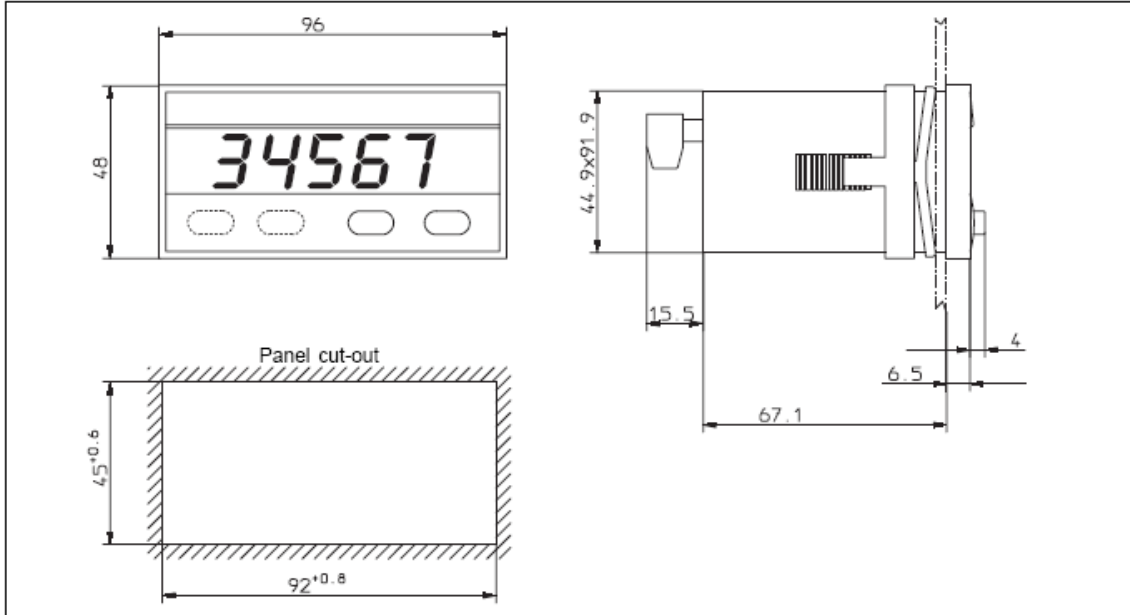
Input Resistance: 10 K ohms

Front Panel Protection: IP65

Accuracy: 0.25%

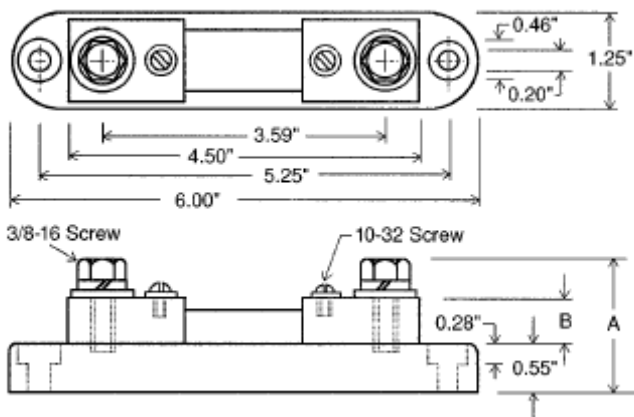
DIMENSIONS

Display, Measurements in MM



Shunt, Measurement in Inches

*Low amperage models are furnished with protective covers.



Tolerances $\pm .015$ for the hole diameters. Other tolerances $\pm .030$ unless specified.
 Dimensions subject to change without notice.

*Other Amperage models available Upon Request