

## MODEL 1815s

### 36 Volt Discharged Battery Alert System

This device functions to display the status of the battery energy. It is designed to alert the operator that the on board battery system requires immediate recharging.

### Specifications

Display: Back-lighted LCD

1. 10 segment bar graph displays full to empty battery energy in 10 incremental segments
2. 5-Digit 7 segment 5mm LCD displays total operating hours
3. Ultra Bright LED Flashes when battery charge drops to 10%
4. Icons: Hour Glass symbol flashes to indicate accumulating hours  
Battery symbol flashes when battery energy reaches 10%

Battery Voltage: 36VDC nominal

Reset: By fully charged battery voltage

Maximum Alarm Load: 0.5 ADC

Data Retention with EEPROM (requires no continuous power)

Fuse: 1 Amp AWG

Operating Temperature: -40C ...+85C

Storage Temperature; -50C...+90C

Housing: NEMA 4 enclosure 4.53 X 3.54 X 3.15 inches

Electrical Connections: 6 24inch color coded leads

Battery Voltage Positive: RED

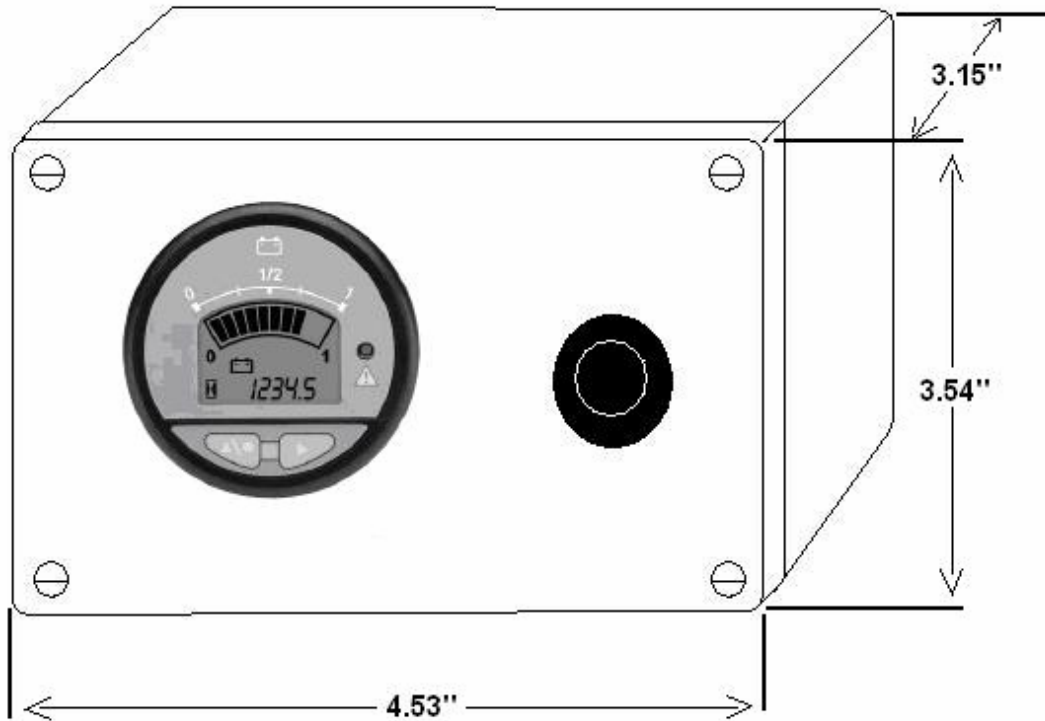
Battery Voltage Negative: Black

Alarm Positive: Red/White

Alarm Negative: Black/White

Key switch: Yellow (2) Contact closure (No voltage required)

## DIMENSIONS

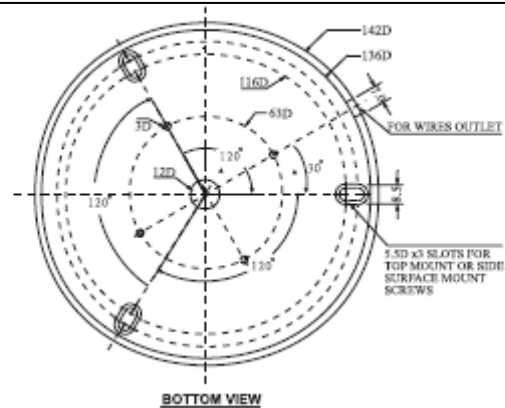
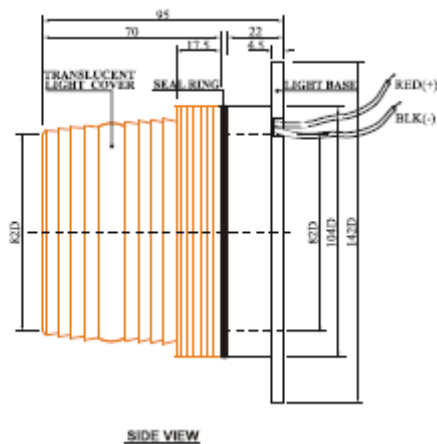


**Medium Duty Alarm,  
Preset at 97  
decibels. 12 to 48  
volt operation**



### SPECIFICATIONS

<b>Voltage Range</b>	12-80 VDC
<b>Flash Rate</b>	75 / min single flash
<b>Current Consumption</b>	0.5A @ 12V
<b>Operating Temperature</b>	-30°C to +50°C
<b>Environmental Protection</b>	IP54
<b>Lens</b>	Amber



### SYSTEM INCLUDES:

Gage Box  
Alarm Beacon  
Audible Alarm

If your requirement varies, please contact our applications engineer to customize the system for your application