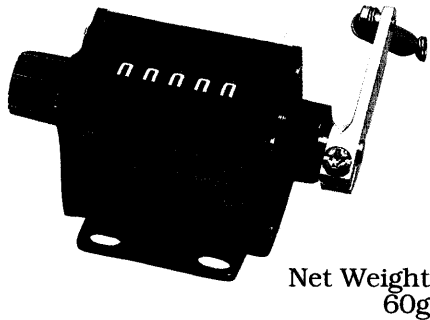


# MECHANICAL TOTALIZERS

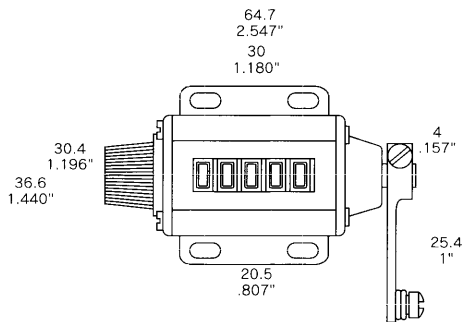
## Small, Resettable, Ratchet Drive RS204

Compact, Base-mount, Ratchet-drive counter available in 3, 4 and 5-digit, reset or nonreset versions.

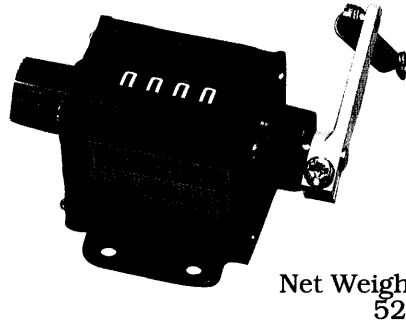
RS204-51 · RS204-52



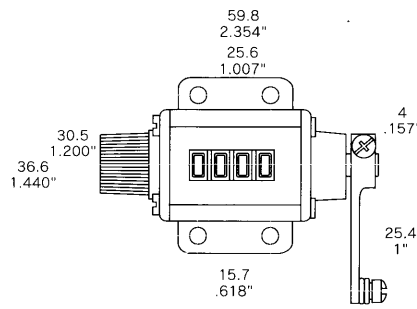
Net Weight  
60g



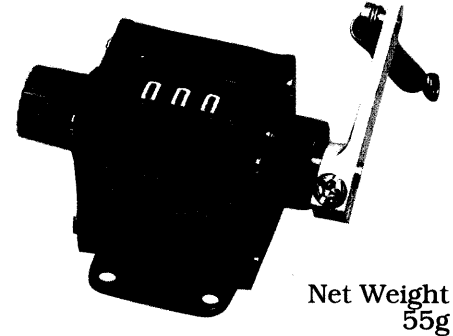
RS204-41 · RS204-42



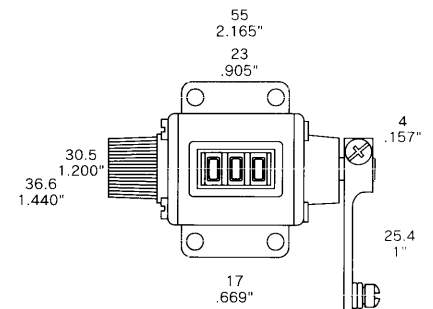
Net Weight  
52g



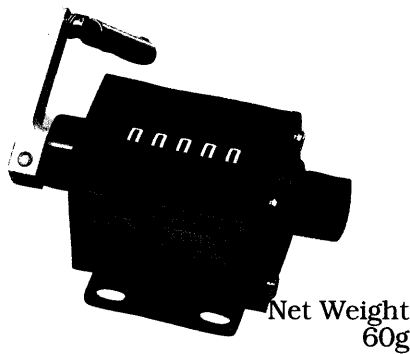
RS204-31 · RS204-32



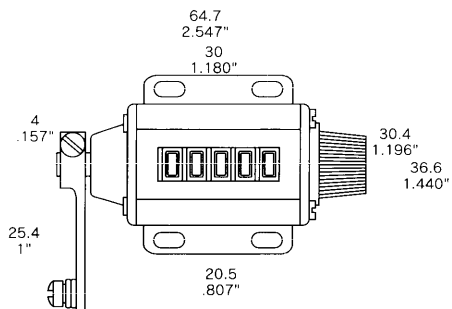
Net Weight  
55g



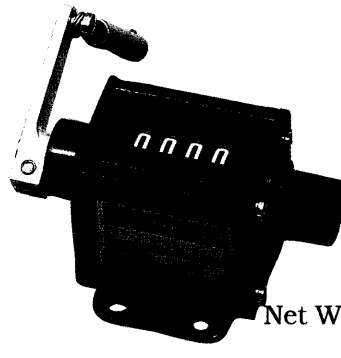
RS204-53 · RS204-54



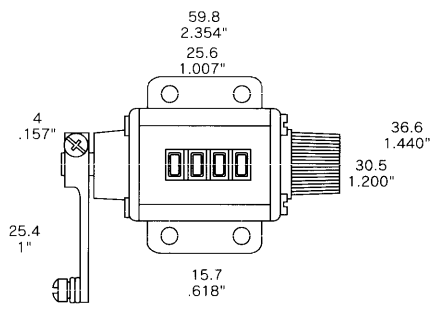
Net Weight  
60g



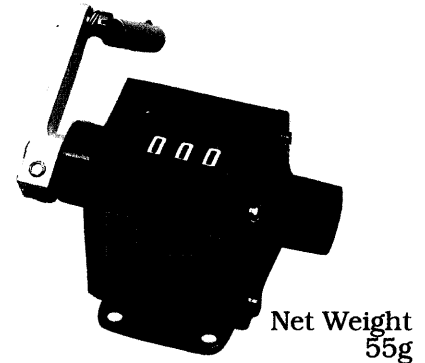
RS204-43 · RS204-44



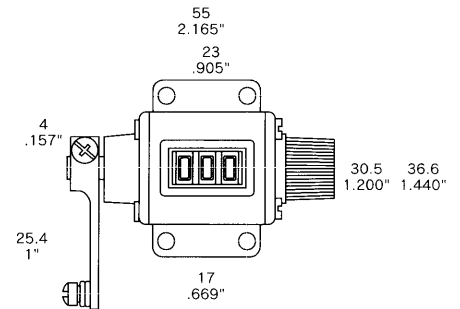
Net Weight  
52g



RS204-33 · RS204-34



Net Weight  
55g

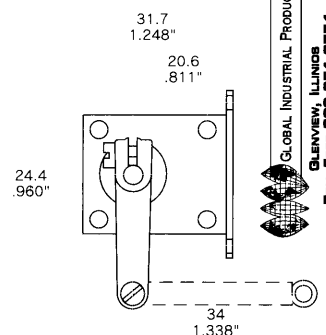


### Recommended Uses:

Production Totalizing, power presses, office machines, vending machines, coin sorters, agricultural machinery, metering instruments, timing devices, Lifting Gates, Measuring devices etc.

### Advantages:

Compact Size, Stopper for no-miscount, corrosion resistant, dust resistant, rugged, Economical and maintenance free. Also, larger knob, different size of handle, different base hole position and other special specification are available on request.



GLOBAL INDUSTRIAL PRODUCTS  
GLEANEW, ILLINOIS  
Toll Free 800.951.8774  
Fax 847.901.4038  
E-Mail sales@globalpower.com  
www.globalpower.com

**Standard Specification:**

Ratchet Drive: One count per rotation through are of 40° rotation, travel limited to 45° by stop.

Figures: 3, 4 and 5 figures, white on black 4.8mm (.189") high

Speed: 1000 counts per minute

Reset: Manual knob

Shaft: Right-hand or left-hand 4mm (.157") diameter

Operating Life: 50 million counts

Temperature Range: -5°C ~+45°C (+23°F ~+ 113°F)

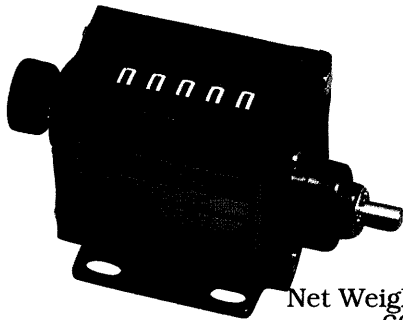
**Shaft Position and Direction**

Rotation No. of figure				
3	RS204-31	RS204-32	RS204-33	RS204-34
4	RS204-41	RS204-42	RS204-43	RS204-44
5	RS204-51	RS204-52	RS204-53	RS204-54

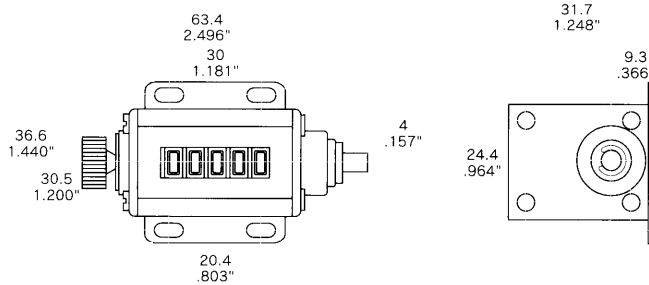
**Small, Resettable, Revolution Drive LB204**

Compact, Base-mount, Revolution-drive counter available in 5-digit, reset and nonreset versions.

**LB204-51 · LB204-54**



Net Weight  
60g



**Recommended Uses:**

Production totalizing, Office Machines, Vending Machines, Agricultural Machinery, Land Measuring Devices etc.

**Advantages:**

Compact size, corrosion resistant, dust resistant, rugged, economical and maintenance free. Also, larger knob, different size of spindle, different base hole position and other specification are available on request.

**Standard Specifications:**

Revolution Drive: Adds one count per shaft revolution in either direction.

Speed: 1000 counts per minute.

Maximum Torque: Revolution 250g (2.5N)

Operating Life: 50 million counts

Temperature Range: -5°C ~+45°C (+23°F ~+ 113°F)

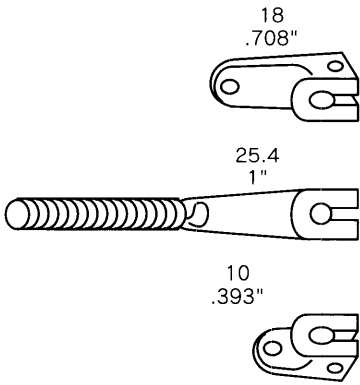
**Shaft Position and Direction**

Direction Digit		
5	LB204-51	LB204-54

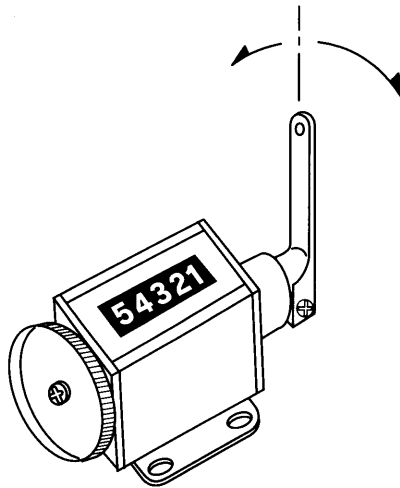


# MECHANICAL TOTALIZERS

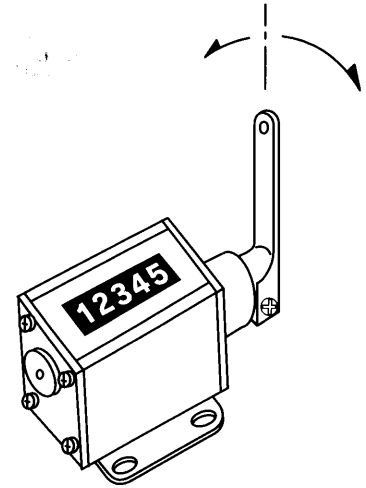
## SPECIAL VERSIONS



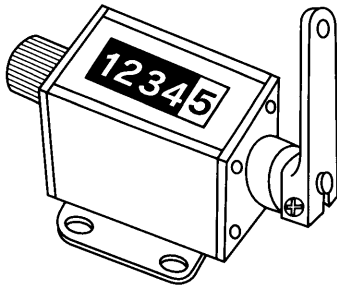
Special Levers  
10mm, 18mm, 25.4mm  
(0.393" ~ 1.0")



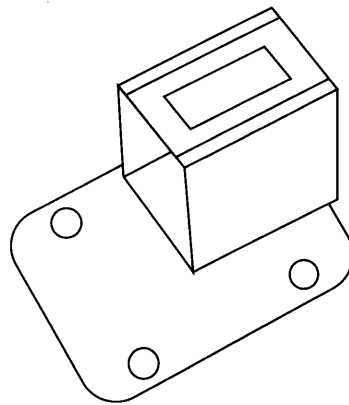
Special Reset Knob



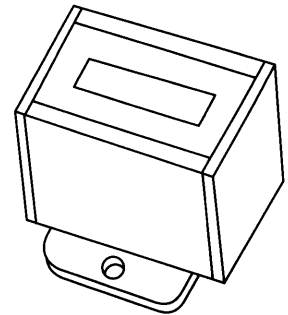
Non-Reset type



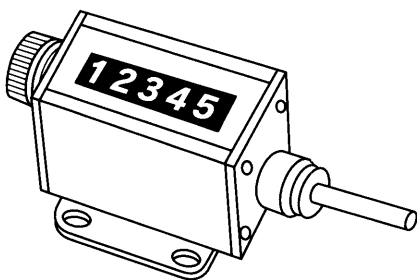
Color Variation in figures  
(Black figure in White wheel)



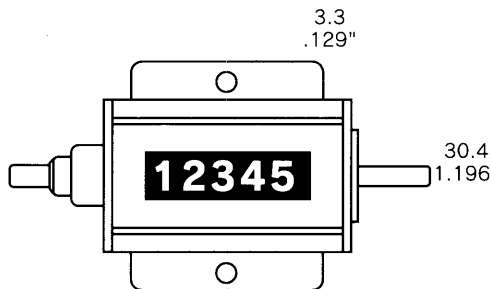
Special mounting base



Special mounting base hole



Special Shaft  
8mm(0.314"), 21mm(0.826")



Special Reset Shaft for LB204-5  
10mm(0.393")

