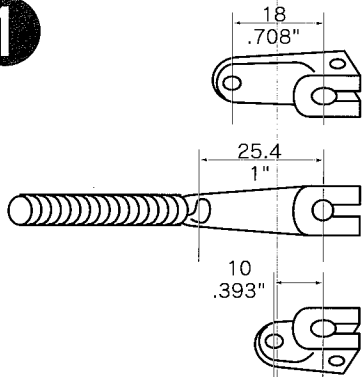


MECHANICAL TOTALIZERS

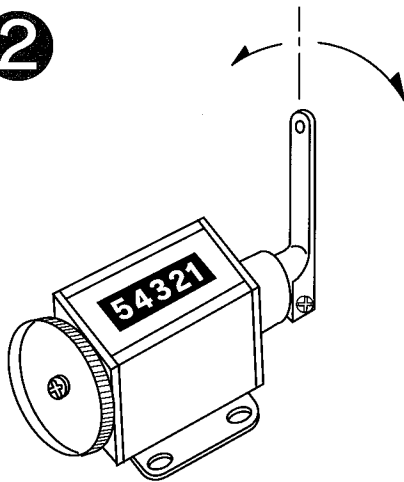
SPECIAL VERSIONS

1



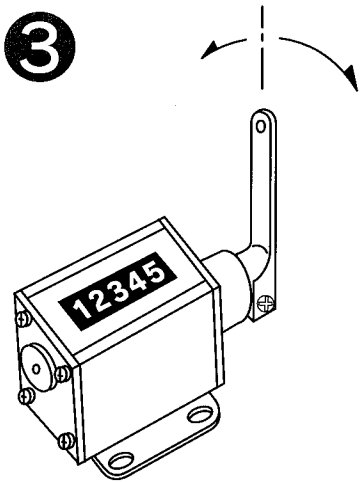
Special Levers
10mm, 18mm, 25.4mm
(0.393" ~ 1.0")

2



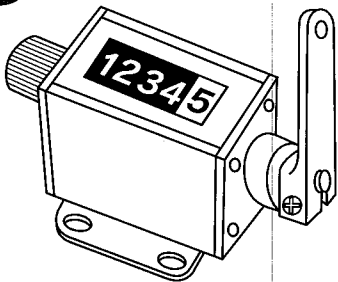
Special Reset Knob

3



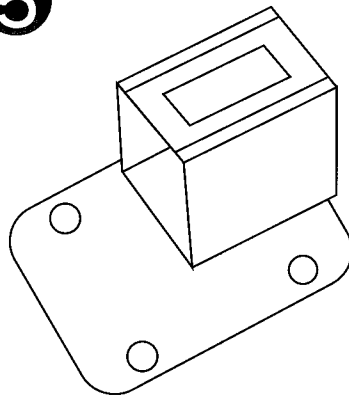
Non-Reset type

4



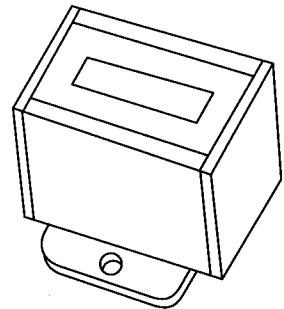
Color Variation in figures
(Black figure in White wheel)

5



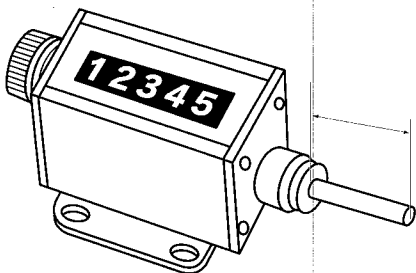
Special mounting base

6



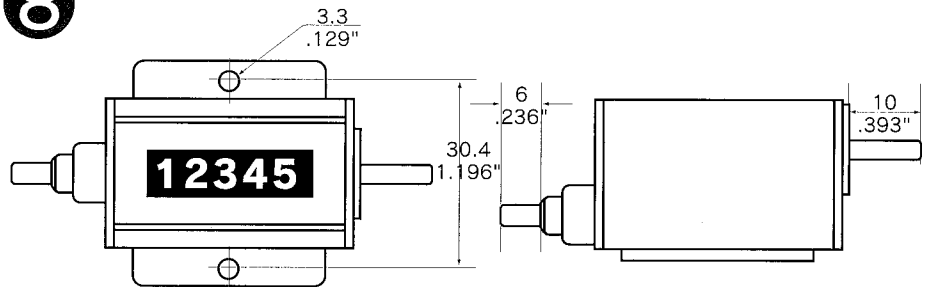
Special mounting base hole

7



Special Shaft
8mm(0.314"), 21mm(0.826")

8



Special Reset Shaft for LB204-5
10mm(0.393")