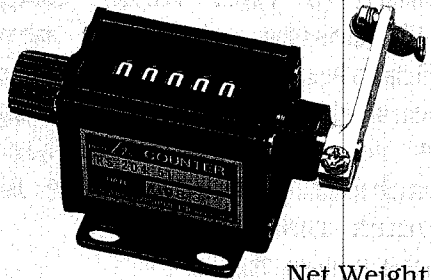


MECHANICAL TOTALIZERS

Small, Resettable, Ratchet Drive RS204

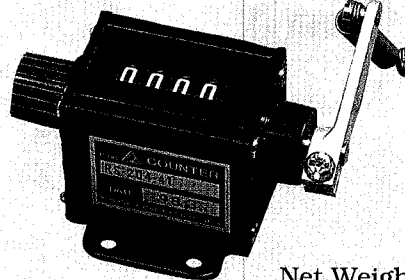
Compact, Base-mount, Ratchet-drive counter available in 3, 4 and 5-digit, reset or nonreset versions.

RS204-51 · RS204-52



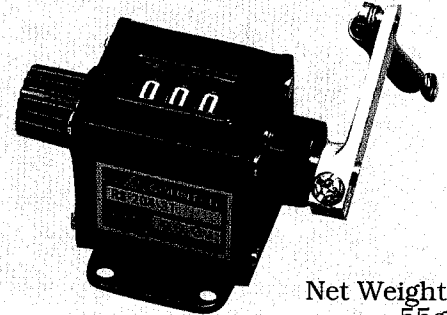
Net Weight
60g

RS204-41 · RS204-42

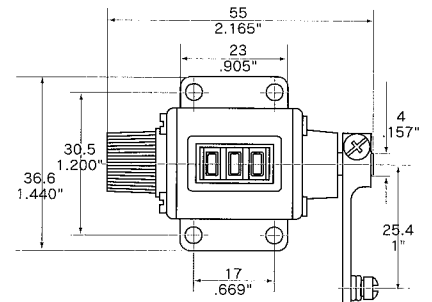
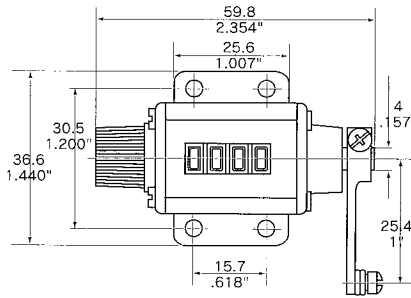
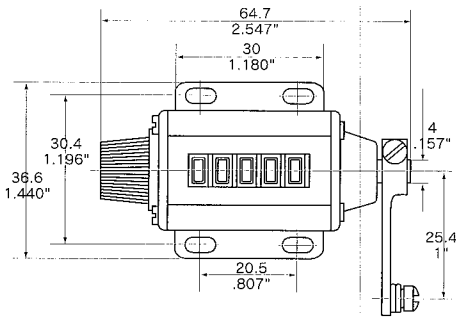


Net Weight
52g

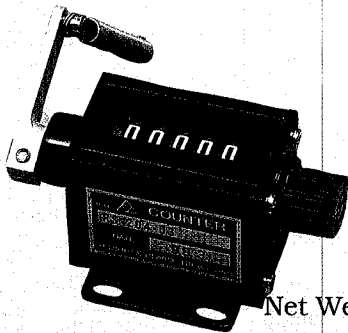
RS204-31 · RS204-32



Net Weight
55g

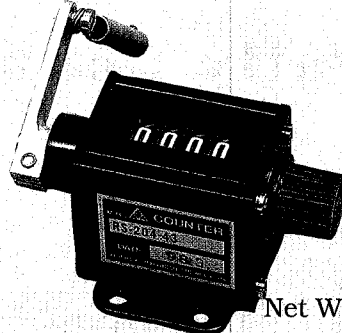


RS204-53 · RS204-54



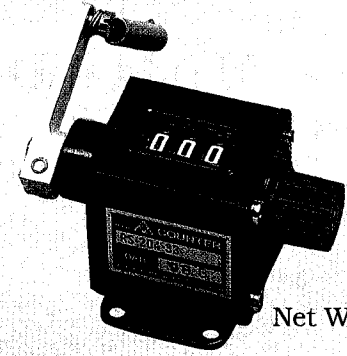
Net Weight
60g

RS204-43 · RS204-44

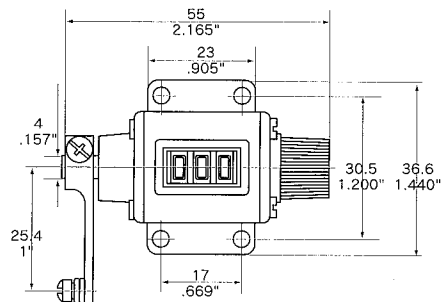
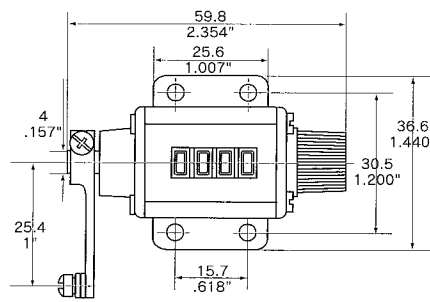
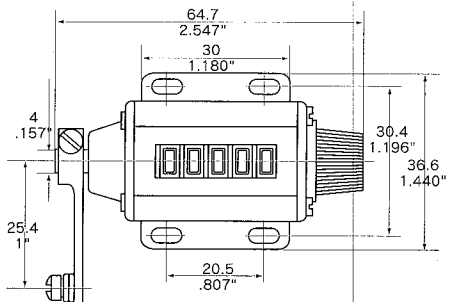


Net Weight
52g

RS204-33 · RS204-34



Net Weight
55g

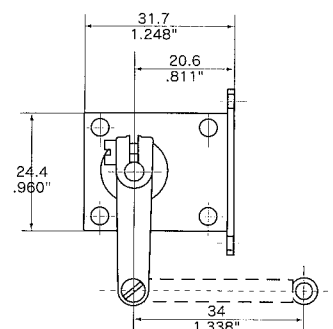


Recommended Uses:

Production Totalizing, power presses, office machines, vending machines, coin sorters, agricultural machinery, metering instruments, timing devices, Lifting Gates, Measuring devices etc.

Advantages:

Compact Size, Stopper for no-miscount, corrosion resistant, dust resistant, rugged, Economical and maintenance free. Also, larger knob, different size of handle, different base hole position and other special specification are available on request.



Standard Specification:

Ratchet Drive: One count per rotation through arc of 40° rotation, travel limited to 45° by stop.

Figures: 3, 4 and 5 figures, white on black 4.8mm (.189") high

Speed: 1000 counts per minute

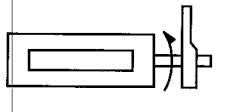
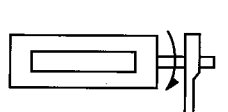
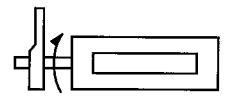
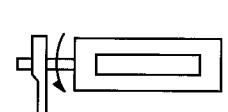
Reset: Manual knob

Shaft: Right-hand or left-hand 4mm (.157") diameter

Operating Life: 50 million counts

Temperature Range: -5°C ~ +45°C (+23°F ~ + 113°F)

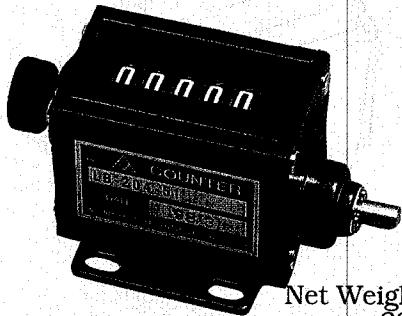
Shaft Position and Direction

Rotation No. of figure				
3	RS204-31	RS204-32	RS204-33	RS204-34
4	RS204-41	RS204-42	RS204-43	RS204-44
5	RS204-51	RS204-52	RS204-53	RS204-54

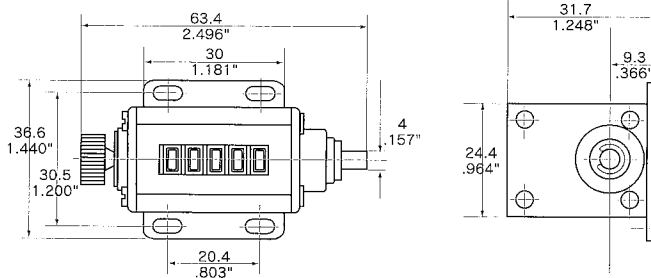
Small, Resettable, Revolution Drive LB204

Compact, Base-mount, Revolution-drive counter available in 5-digit, reset and nonreset versions.

LB204-51 · LB204-54



Net Weight
60g



Recommended Uses:

Production totalizing, Office Machines, Vending Machines, Agricultural Machinery, Land Measuring Devices etc.

Advantages:

Compact size, corrosion resistant, dust resistant, rugged, economical and maintenance free. Also, larger knob, different size of spindle, different base hole position and other specification are available on request.

Standard Specifications:

Revolution Drive: Adds one count per shaft revolution in either direction.

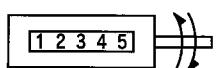
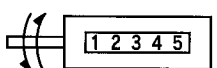
Speed: 1000 counts per minute.

Maximum Torque: Revolution 250g (2.5N)

Operating Life: 50 million counts

Temperature Range: -5°C ~ +45°C (+23°F ~ + 113°F)

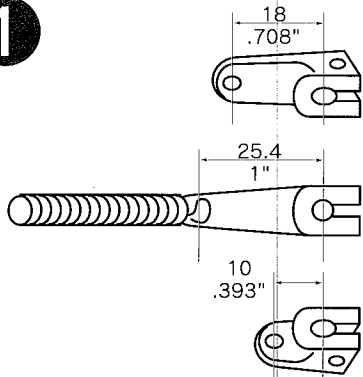
Shaft Position and Direction

Direction Digit		
5	LB204-51	LB204-54

MECHANICAL TOTALIZERS

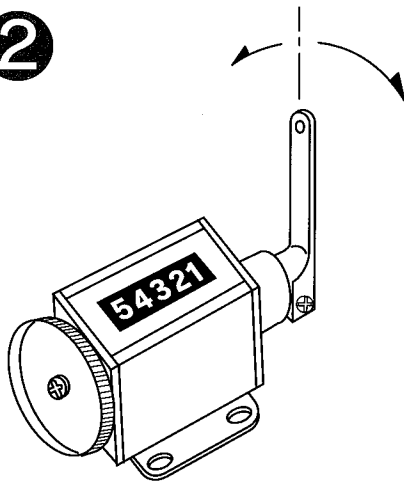
SPECIAL VERSIONS

1



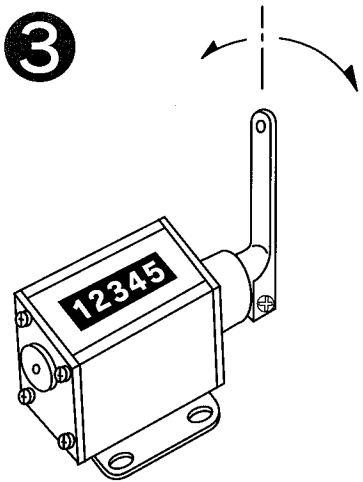
Special Levers
10mm, 18mm, 25.4mm
(0.393" ~ 1.0")

2



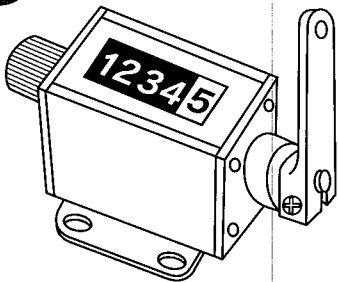
Special Reset Knob

3



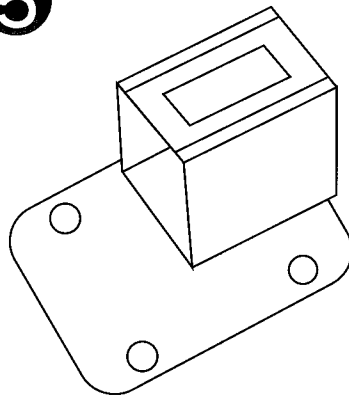
Non-Reset type

4



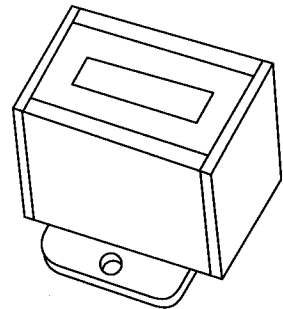
Color Variation in figures
(Black figure in White wheel)

5



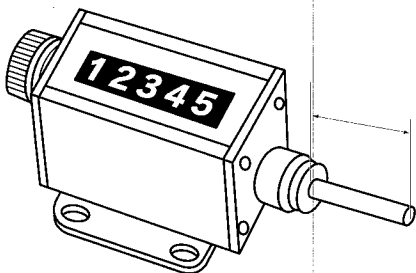
Special mounting base

6



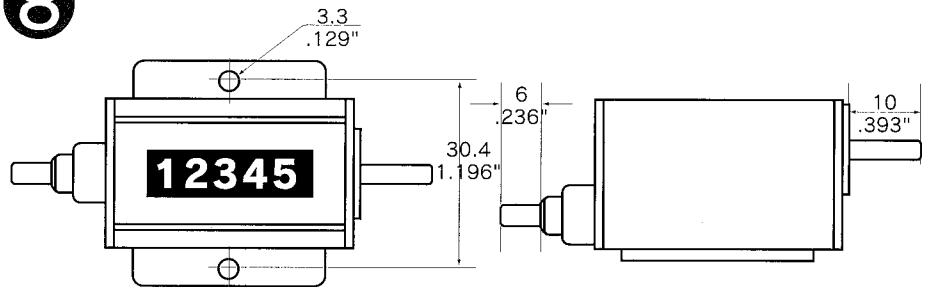
Special mounting base hole

7



Special Shaft
8mm(0.314"), 21mm(0.826")

8



Special Reset Shaft for LB204-5
10mm(0.393")