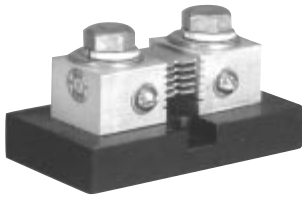




# DC Ammeter Shunts

STD Accuracy  $\pm 0.25\%$

## TYPE LB: 170 through 600 Amperes

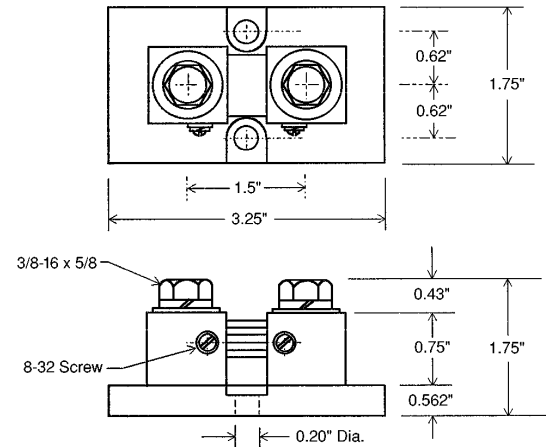


### TYPE LB: 50 mV

Catalog Number	AMP
LB-170-50	170
LB-200-50	200
LB-250-50	250
LB-300-50	300
LB-400-50	400
LB-450-50	450
LB-500-50	500
LB-600-50	600

### TYPE LB: 100 mV

Catalog Number	AMP
LB-170-100	170
LB-200-100	200
LB-250-100	250
LB-300-100	300
LB-400-100	400
LB-450-100	450
LB-500-100	500
LB-600-100	600



Tolerances  $\pm .015$  for the hole diameters. Other tolerances  $\pm .030$  unless specified.  
Dimensions subject to change without notice.