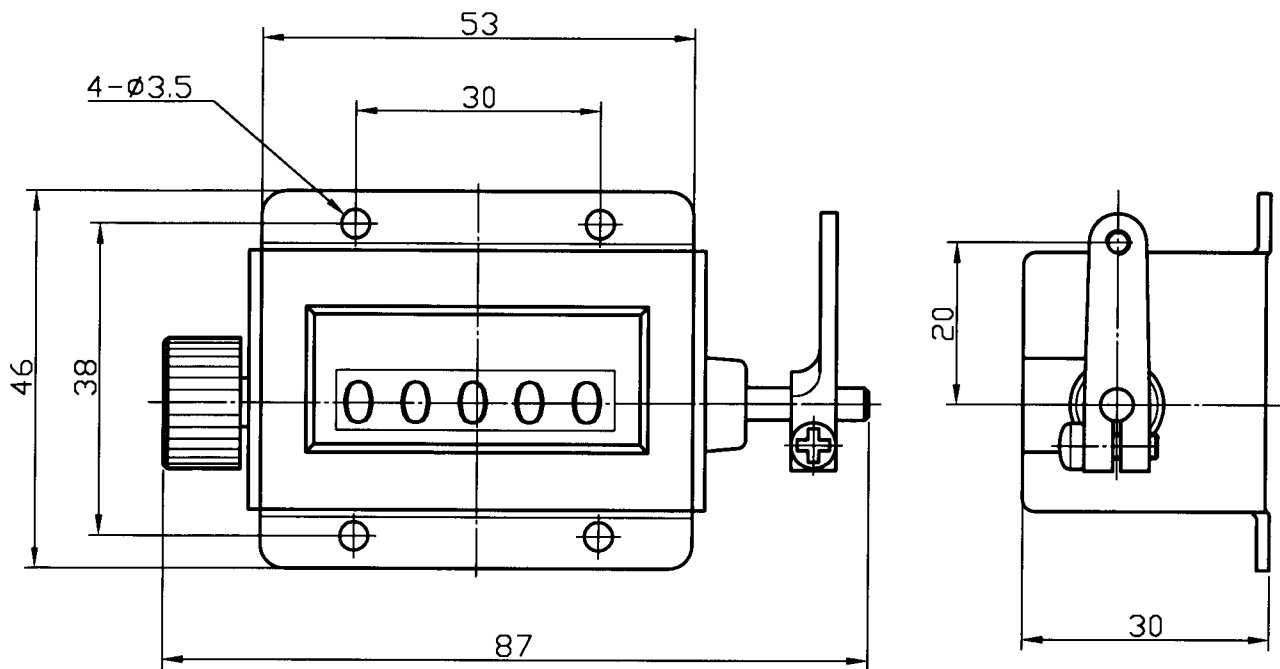


QUALITY PRODUCTS OF
ISO 9002 CERTIFIED

LB-4

LB-5



GLOBAL INDUSTRIAL PRODUCTS

SPECIALISTS IN ADVANCED
OEM COMPONENT
TECHNOLOGIES

3338 WEST LAKE ST.
GLENVIEW, IL 60025 U.S.A.
TOLL FREE 800.951.8774
TEL 847.901.4040
FAX 847.901.4036
E-Mail: sales@globalpower.com

SCALE=2:1