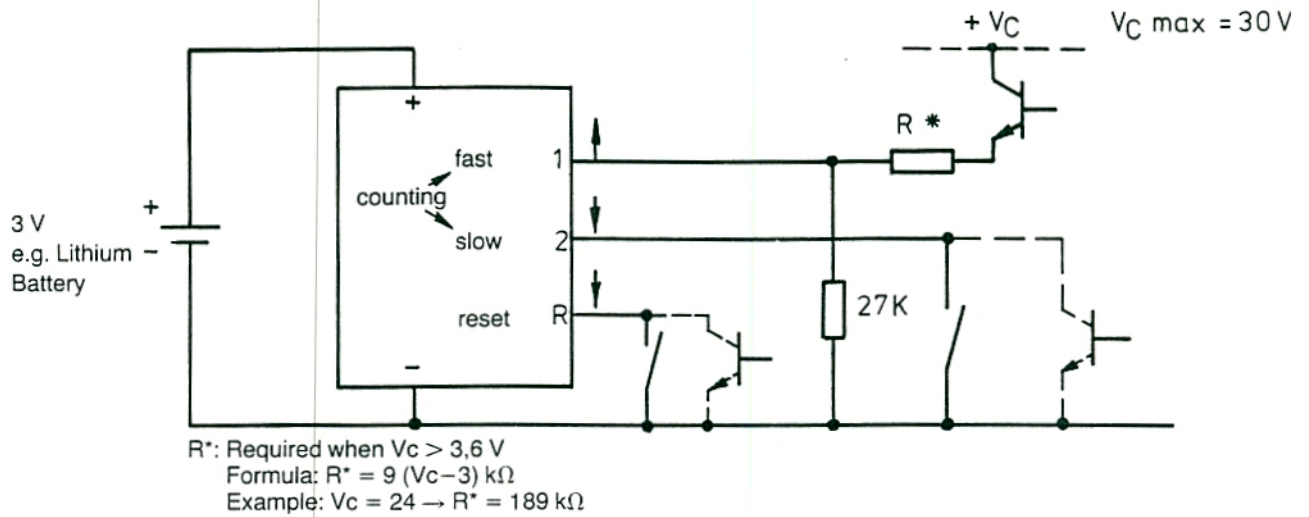


Connection diagram:



Dimension diagram:

