

CODIX 523



Your benefit

- **Timer meter**
- Display in s, min, h or h.m.s (programmable)
- Resolution up to 0,001 s
- Locking SET-key for reset
- Gate, Start and Stop with 2 Inputs (programmable)

Product features

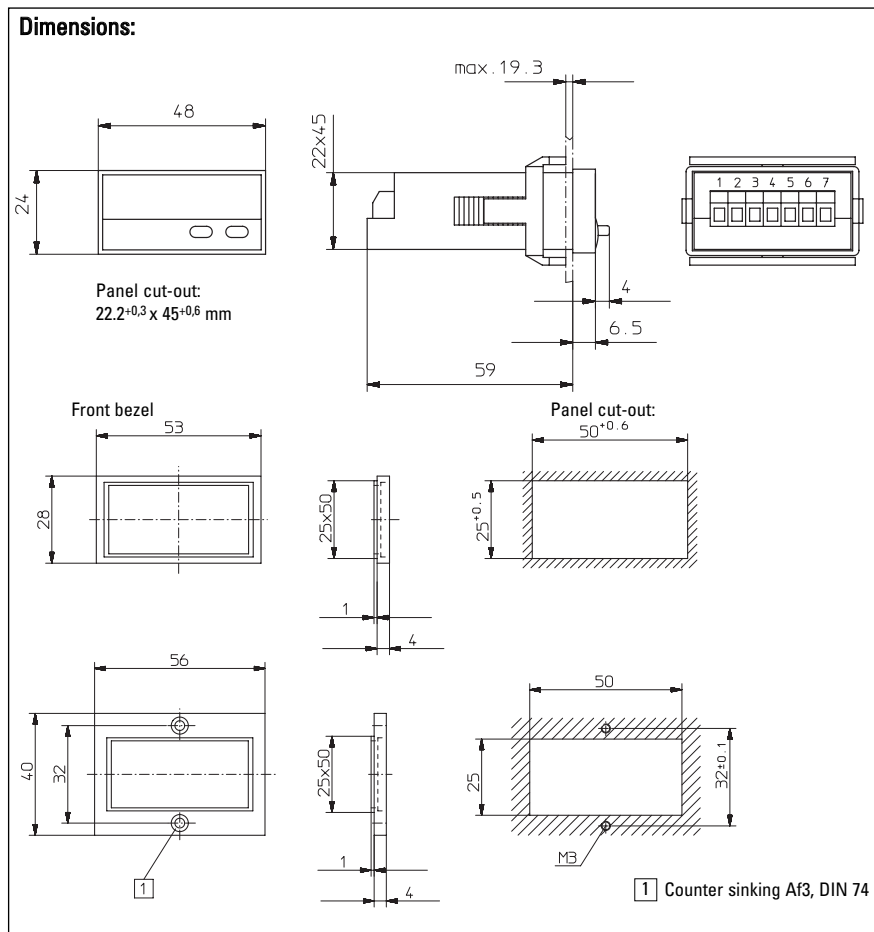
- Display range 0 ... 999 999 with zero blanking
- Screw terminal
- Modern **CODIX**-Design

Option:

Optocoupler-output as function monitoring

Technical data

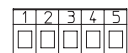
Supply voltage:	10 ... 30 V DC, with reverse polarity protection	Level of inputs	Low: 0 ... 0.2 x U _B High: 0.6 x U _B ... 30 V DC
Current consumption:	max. 50 mA	Optocoupler output	Max. 30 V, 10 mA
Display:	6 digit red 7-segment LED's; 8 mm high	Accuracy:	<50 ppm
Data backup:	EEPROM	Ambient temperature:	-10 ... +50 °C
Housing:	Dimension 48 x 24 mm according to DIN 43 700; RAL 7021, grey	Storage temperature:	-25 ... +70 °C
Polarity of Inputs:	programmable, npn or pnp for all inputs	EMC:	according to EC EMC directive 89/36/EWG
Input resistance:	appr. 10 kΩ	Immunity to interference:	EN 61 0006-4/EN 55011 class B
Resolution:	up to 0.001 s	Emitted interference:	EN 61 000-6-2
Reset time:	5 ms	Protection:	IP65 (front)
		Weight:	appr. 50 g



Connections:

without optocoupler

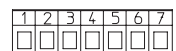
- 1 10 ... 30 VDC
- 2 0 V GND
- 3 INP A
- 4 INP B
- 5 Reset



Connections:

with Optocoupler (npn)

- 1 10 ... 30 VDC
- 2 0 V GND
- 3 INP A
- 4 INP B
- 5 Reset
- 6 Emitter
- 7 Collector



Delivery specification

- 1 Digital display
- 1 Panel mounting clip
- 1 Bezel for screw mounting, panel cut out 50 x 25 mm
- 1 Bezel for clip mounting, panel cut out 50 x 25 mm
- 1 Seal
- 1 Multilingual operating instructions

Order code:

6.523.01X.300

Output
1 = Optocoupler
2 = no output