

CODIX 543



Your benefit

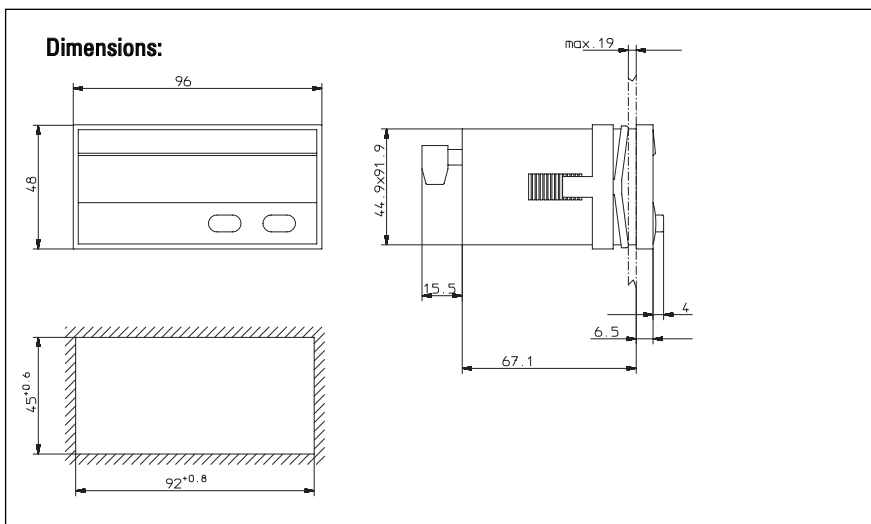
- **Timer meter**
- Display in s, min, h or h.min.s (programmable)
- Big keys for use with wearing gloves
- DIN housing
- Gate, start and stop function via 2 Inputs (programmable)
- Resolution up to 0.001 s, programmable by setting the decimal point
- programmable set value

Product features

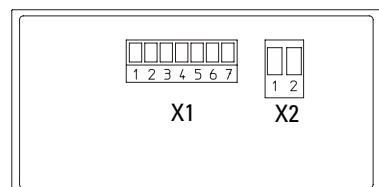
- Display range 0 ... 999 999 with zero blanking
 - Connection with screw terminal
 - Locking SET-Key for reset
 - Modern **CODIX**-Design
- Option:**
Optocoupler output as operation indicator

Technical data

Supply voltage	10 ... 30 V DC, with reverse polarity protection	AC-version	Low 0 ... 4 V DC
Current consumption:	max. 50 mA, 6 VA		High 12 ... 30 V DC
Display:	6-digit red 7 segment LED display; 14 mm high	Input switching level (5 V version):	Low 0 ... 2 V DC High 4 ... 30 V DC
Data backup:	EEPROM	Supply voltage for sensors:	24 V DC \pm 15 %/100 mA at AC-version
Housing:	Dimension 96 x 48 mm according to DIN 43 700; RAL 7021, grey	Accuracy:	<50 ppm
Polarity of Inputs:	programmable, npn or pnp for all inputs	Ambient temperature:	-20 ... +65 °C
Input resistance:	approx. 5 k Ω	Storage temperature:	-25 ... +70 °C
Resolution:	up to 0.001 s	EMC:	according to EC EMC directive 89/36/EWG
Reset time:	5 ms	Immunity to interference:	EN 61 0006-4/EN 55011 class B
Input switching level (standard version):	DC-version: Low: 0 ... 0.2 x U _B [V DC] High: 0.6 x U _B ... 30 V DC	Emitted interference:	EN 61 000-6-2
		Protection:	IP65 (front)
		Weight:	appr. 150 g



Connections:



Connection: X2

Pin	AC-version	DC-version
1	90 ... 260 V AC	0 V DC (GND)
2	90 ... 260 V AC	10 ... 30 V DC

Connection: X1

Pin	AC-Version	DC-Version
1	Optocoupler-output Emitter	
2	Optocoupler-output Collector	
3	Reset	
4	INP B	
5	INP A	
6	GNDout	n.c.
7	+24 Vout	n.c.

Order code:

6.543.01X.XX0

Output
1 = Optocoupler output
2 = no output

Input switching level
0 = Standard level
A = 5 V level

Power supply
0 = 90 ... 260 V AC
3 = 10 ... 30 V DC

Delivery specification

Digital display
Mounting clip
Seal
Multilingual operating instructions