

Preset counter BVa 15



- 3- or 5 digit **adding** preset counter with stationary preset value
- Preset value remains unchanged but can be adjusted at any time during the counting operation
- 0-reset manual
- Potential free changeover contact (micro-switch) on reaching the preset Contact remains switched till a 0-reset occurs
- Contact is released in its position until 0-resetting

- Counter without front bezel fits into front frame F2B and may be combined in blocks of 50 x 50 mm
- Can be combined with the counter series B-, MVs 36- and HVa.

Applications

Piece-counting, automation

Technical data:

Electrical connection:	Silver-plated tabs \varnothing 1.5 mm with push-on connectors (counter) Silver plated tabs 0.8 x 2.8 mm (socket box)
Rated voltages:	Counting mechanism: 12/24/48/115 V DC $\pm 10\%$ 24/48/115/230 V AC $\pm 10\%$
Figures :	Counter 4.5 mm , Preset 4 mm
Colour of housing:	Black
Colour of figures:	Counter: white on black , Preset: yellow on black
Shaft:	stainless steel
Mounting position:	optional
Service life:	appr. 100×10^6 Pulse
Weight:	appr. 130 g
Test voltage:	2000 V, effective
Switching contact:	1 change over contact (micro switch), release in 2nd half-step on the preset number

Loading (max):	AC:	250 V AC, 2A
	DC:	24 V DC, 2 A 60 V D. 0,7 A 115 V DC, 0,4 A 230 V DC, 0,2 A, at resistive Load.
Suitable spark quenching is required on inductive load, reducing the max. current to 60%		
Options:	Key locking 0-reset	
	Key locking transparent cover	
	Counter with front plate size 3	Art.-No.: 2.1X0.7XX.XXX
	Flexible sealing coverK2 (IP 54)	
	Counter with front frame no. 3	Art.-No.: 2.1X0.6XX.XXX
	Screw terminal	

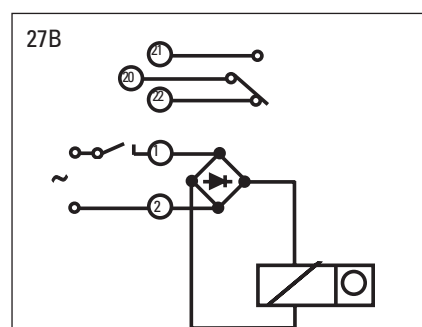
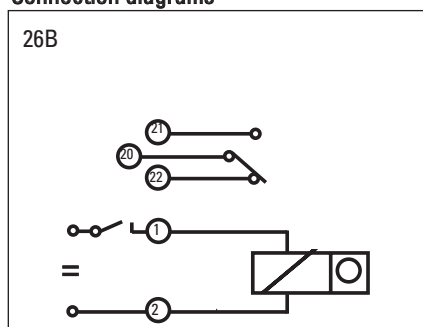
Type series:

Manual reset		Description
5 digit	3 digit	
BVa 15.01	BVa 15.01/3	no front frame
BVa 15.11	BVa 15.11/3	front frame 1 with mounting holes
BVa 15.21	BVa 15.21/3	front frame 2 with spring clip
BVa 15.31	BVa 15.31/3	front bezel 3 with mounting holes

Counting mechanism:

Voltage	Model	max. CP7s	Min. pulse-duration	Min. pulse-interval	Pulse-ratio	On time	Power consumption	Ripple voltage max.	Ambient temperature ° C
V DC	l	25/sec	24 ms	16 ms	3:2	100 %	3 W	48 %	-10 ... +60 °C
V AC	a	18/sec	27.7 ms	27.7 ms	1:1	100%	3 VA	-	-10 ... +55 °C

Connection diagrams



Delivery specification:

Counter complete with push-on connectors

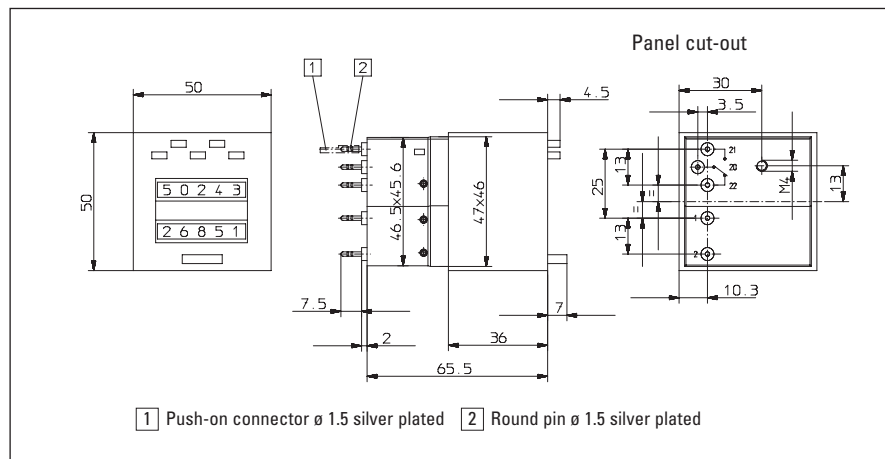
Accessories:

- Socket box 946.1
- Sealing cover K2
- Front frame F2B

Order information:

- Art-No.
- If special voltages ... are requested, please state exact counter type, voltage and model e.g. BVa 15.31, 12 V DC...

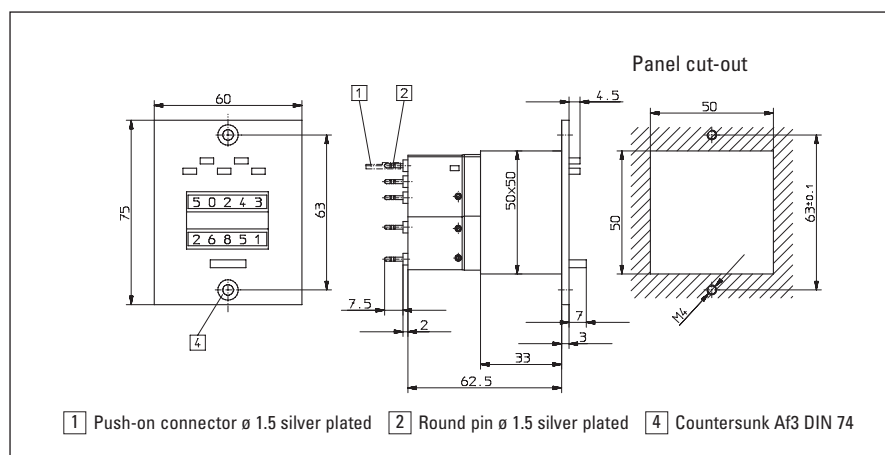
Type BVa 15.01



	BVa 15.01			BVa 15.01/3		
	24 V Art-No.	115 V Art-No.	230 V Art-No.	24 V Art-No.	115 V Art-No.	230 V Art-No.
DC (25 Imp/s)	2.100.011.033	-	-	2.120.011.033	2.120.011.064	2.120.011.066
AC (18 Imp/s)	2.100.011.061	2.100.011.064	2.100.011.066	2.120.011.061	2.120.011.064	2.120.011.066

Colour of housing black:
Art.-No. 2.1X0.011.XXX

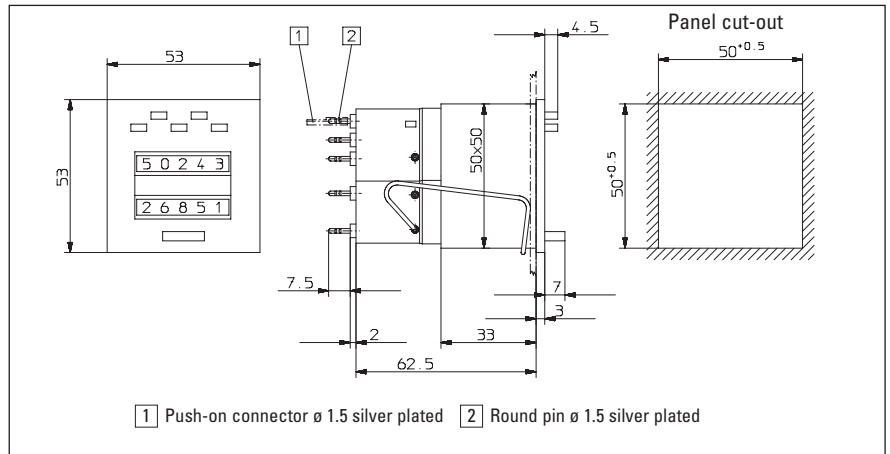
Type BVa 15.11



	BVa 15.11			BVa 15.11/3		
	24 V Art-No.	115 V Art-No.	230 V Art-No.	24 V Art-No.	115 V Art-No.	230 V Art-No.
DC (25 Imp/s)	2.100.110.033	-	-	2.120.110.033	2.120.110.064	2.120.110.066
AC (18 Imp/s)	2.100.110.061	2.100.110.064	2.100.110.066	2.120.110.061	2.120.110.064	2.120.110.066

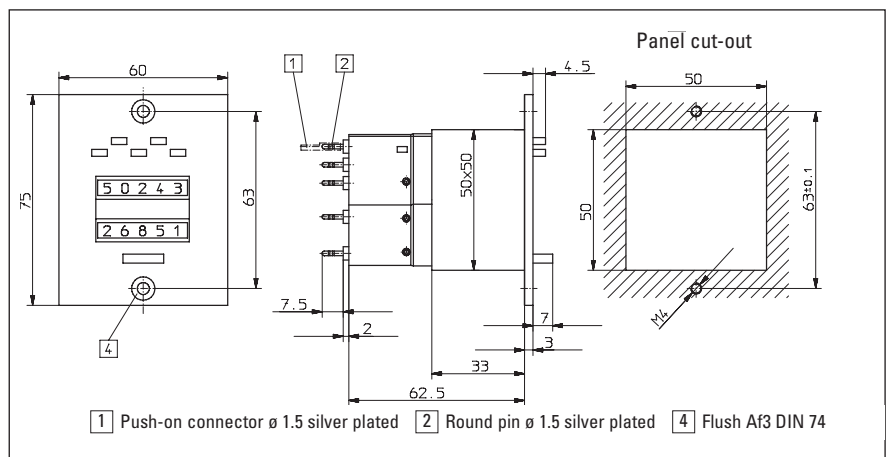
Colour of housing black:
Art.-No. 2.1X0.111.XXX

Type BVa 15.21



	BVa 15.21			BVa 15.21/3			Colour of housing black: Art-No. 2.1X0.211.XXX
	24 V Art-No.	115 V Art-No.	230 V Art-No.	24 V Art-No.	115 V Art-No.	230 V Art-No.	
DC (25 Imp/s)	2.100.210.033	—	—	2.120.012.033			
AC (18 Imp/s)	2.100.210.061	2.100.210.064	2.100.210.066	2.120.210.061	2.120.210.064	2.120.210.066	

Type BVa 15.31



	BVa 15.31			BVa 15.31/3			Colour of housing black: Art-No. 2.1X0.311.XXX
	24 V Art-No.	115 V Art-No.	230 V Art-No.	24 V Art-No.	115 V Art-No.	230 V Art-No.	
DC (25 Imp/s)	2.100.310.033	—	—	2.120.110.033			
AC (18 Imp/s)	2.100.310.061	2.100.310.064	2.100.310.066	2.120.310.061	2.120.310.064	2.120.310.066	

Options:

Key-locking 0-reset:

Colour of housing grey: Art-No. 2.1X0XX6.XXX

Colour of housing black: Art-No. 2.1X0.XX7.XXX

Knob-locking transparent cover (IP55)

Counter with front plate size 3

Art-No. 2.1X0.8XX.XXX

Flexible sealing cover K2 (IP 54)

Counter with front plate size 3

Art-No. 2.1X0.6XX.XXX