

CODIX 524



Your benefit

- **Universal**
- Function range as **CODIX 521 ... 523!**
 - Display counter adding and subtracting
 - Position display
 - Frequency counter/Rate meter
 - Timer
- the function is programmable

Product features

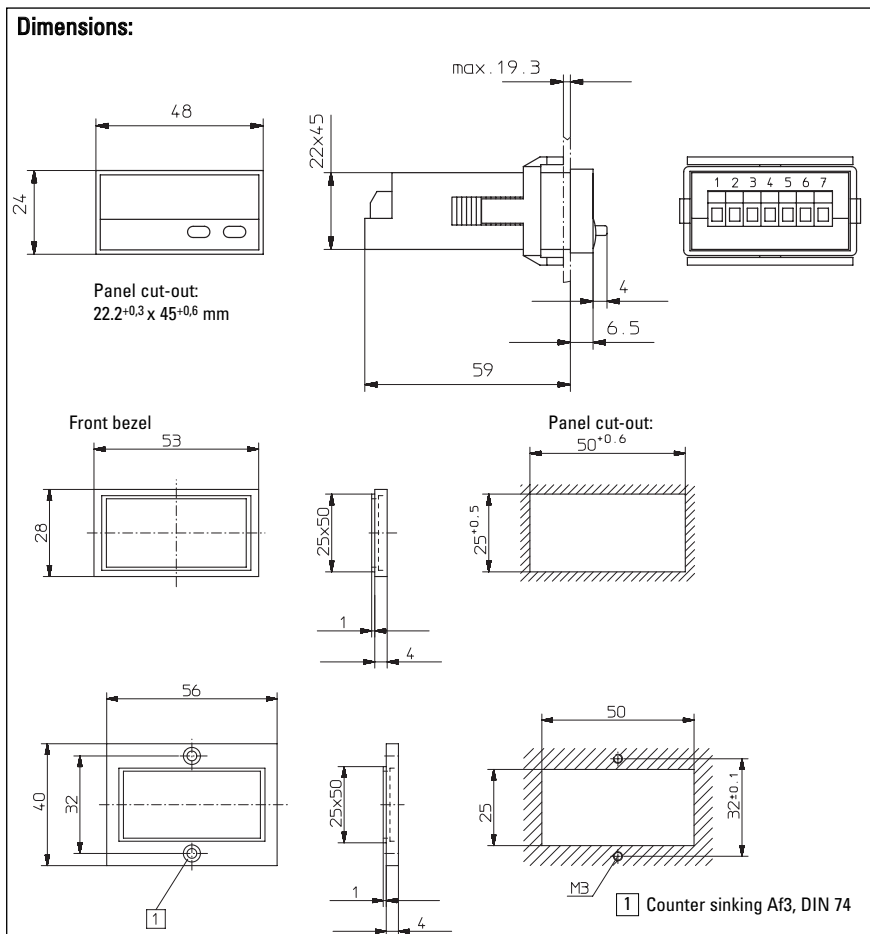
- Display range –199 999 ... 0 ... 999 999 with zero blanking
- Screw terminal
- Locking SET-Key
- Modern **CODIX**-Design

Option:

Optocoupler-output

Technical data

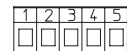
Supply voltage:	10 ... 30 V DC, with reverse polarity protection	Level of inputs	Low: 0 ... 0.2 x U _B [V DC] High: 0.6 x U _B ... 30 V DC
Current consumption:	max. 50 mA	Optocoupler output:	Max. 30 V, 10 mA
Display:	6 digit red 7-segment LED's; 8 mm high	Accuracy	Tacho meter: <0.1 % Time meter: <50 ppm
Data backup:	EEPROM	Ambient temperature:	–10 ... +50 °C
Housing:	Dimension 48 x 24 mm according to DIN 43 700; RAL 7021, grey	Storage temperature:	–25 ... +70 °C
Polarity of Inputs;	programmable, npn or pnp	EMC:	according to EC EMC directive 89/36/EWG
Input resistance:	approx. 10 kΩ	Immunity to interference:	EN 61 000-6-4/EN 55011 class B
Counting frequency:	20 kHz, can be damped to 30 Hz position display: max. 11 kHz	Emitted interference:	EN 61 000-6-2
Resolution:	Timer 0.001 s	Protection:	IP65 (front)
Reset time:	5 ms	Weight:	appr. 50 g



Connections:

without Optocoupler

- 1 10 ... 30 VDC
- 2 0 V GND
- 3 INP A
- 4 INP B
- 5 Reset



Connections:

with Optocoupler (npn)

- 1 10 ... 30 VDC
- 2 0 V GND
- 3 INP A
- 4 INP B
- 5 Reset
- 6 Emitter
- 7 Collector



Delivery specification

- 1 Digital display
- 1 Panel mounting clip
- 1 Bezel for screw mounting, panel cut out 50 x 25 mm
- 1 Bezel for clip mounting, panel cut out 50 x 25 mm
- 1 Seal
- 1 Multilingual operating instructions

Order code:

6.524.01X.300

Output

- 1 = Optocoupler-output
- 2 = no output