

## CODIX 528



### Your benefit

- **Two time meters in one**
- 2 keys for switching between timer 1 and timer 2
- Display in s, min, h or h.min.s
- Reset input, programmable for each counter separately in set up

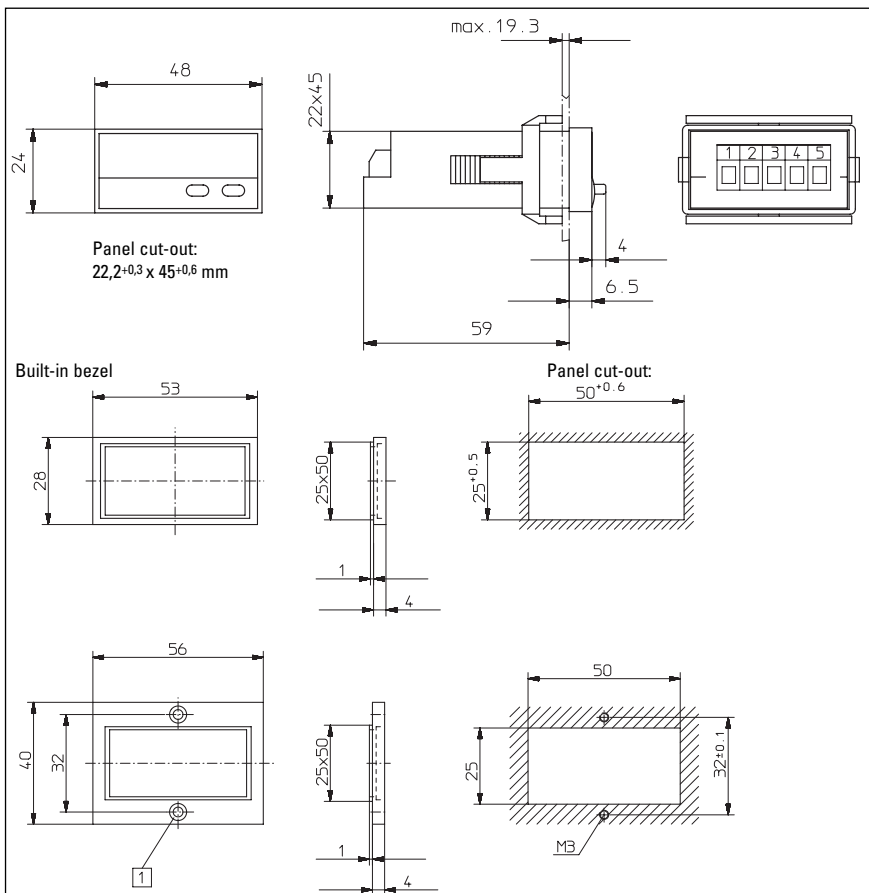
### Product features

- Display range 0 ... 999 999 with leading zero blanking
- Connection via screw terminal
- SET-key resets the counter to zero (can be disabled in the set-up)
- Start, Stop or Gate-Input
- Modern **CODIX**-Design

### Technical data

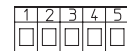
Supply-voltage:	10 ... 30 V DC, with reverse polarity protection	Level of the Inputs:	Low: 0 ... 0,2 x U <sub>B</sub> [V DC] High: 0,6 x U <sub>B</sub> ... 30 V DC
Current consumption:	max. 50 mA	Accuracy:	<50 ppm
Display:	6-digit red 7-segment LED's; 8 mm high	Ambient temperature:	-10 ... +50 °C
Data backup:	EEPROM	Storage temperature:	-25 ... +70 °C
Housing:	Dimension 48 x 24 mm according to DIN 43 700; RAL 7021, grey	EMC:	according to EC EMC directive 89/36/EWG
Polarity of the inputs:	programmable, npn or pnp	Immunity to interference:	EN 61 0006-4/EN 55011 class B
Input resistance:	appr. 10 kΩ	Emitted interference:	EN 61 000-6-2
Resolution:	up to 0.001 s	Protection:	IP65 (front)
Reset time:	5 ms	Weight:	appr. 50 g

### Dimensions:



### Connections:

- 1 10 ... 30 V DC
- 2 0 V GND
- 3 INP A
- 4 INP B
- 5 Reset



### Delivery specification:

- 1 Digital display
- 1 Panel mounting clip
- 1 Bezel for screw mounting, panel cut out 50 x 25 mm
- 1 Bezel for clip mounting, panel cut out 50 x 25 mm
- 1 Gasket
- 1 Multilingual operating instructions

**Order code:** 6.528.012.300