

CODIX 544, Multipurpose device

- High count speed, numerous programming options
- Functions as per **CODIX 541 ... 543**
- Separate multiplication and scaling factor for pulse and frequency counter

Operating modes:

Display counter, adding and subtracting,
Position display
Frequency counter/Rate meter/Tachometer,
Hour meter/Timer



NPN or PNP inputs,
max. 60 kHz

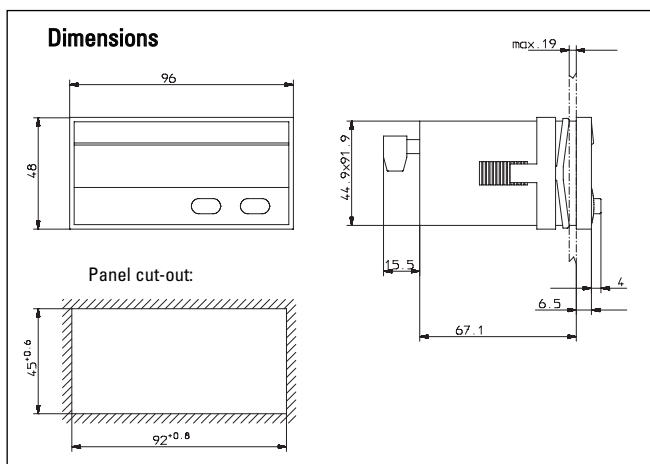
Big keys for use
when wearing gloves

Technical data

Supply voltage	10 ... 30 V DC, with reverse polarity protection 90 ... 260 V AC
Current consumption:	max. 50 mA, 6 VA
Display:	6 digit red 7 segment LED display; 14 mm high
Data backup:	EEPROM
Housing:	Dimension 96 x 48 mm according to DIN 43 700; RAL 7021, grey
Polarity of Inputs:	programmable, npn or pnp for all inputs
Input resistance:	appr. 10 kΩ
Counting frequency*:	60 kHz, can be damped to 30 Hz depending on operating mode at position display max. 25 kHz
Reset time:	5 ms
Resolution timer:	up to 0.001 s
Input switching level (standard version):	DC-version Low: 0 ... 0.2 x U _B [V DC] High: 0.6 x U _B ... 30 V DC

	AC-version
	Low 0 ... 4 V DC
	High 12 ... 30 V DC
Input switching level (5 V version):	Low: 0 ... 2 V DC High: 4 ... 30 V DC
Voltage supply for sensors	24 V DC ±15 %/100 mA at AC-versions
Accuracy:	Tacho meter: <0,1 % Timer < 50 ppm
Ambient temperature:	-20 ... +65 °C
Storage temperature:	-25 ... +70 °C
EMC:	according to EC EMC directive 89/36/EWG
Immunity to interference:	EN 61000-6-4/EN 55011 class B
Emitted interference:	EN 61000-6-2
Protection:	IP65 (from front)
Weight:	appr. 150 g

*for further specifications please refer for the manual



Scope of delivery:

Digital display
Mounting clip
Seal
Multilingual operating instructions

Order code:

6.544.01X.XX0

Output
1 = Optocoupler output
2 = no output

Input switching level
0 = Standard level
A = 5 V level

Voltage supply
0 = 90 ... 260 V AC
3 = 10 ... 30 V DC