

CODIX 548



Your benefit

- Two time meters in one
- Very big keys
- big and very high luminosity characters
- With reset
- Display in s, min, h or h.m.s (programmable)

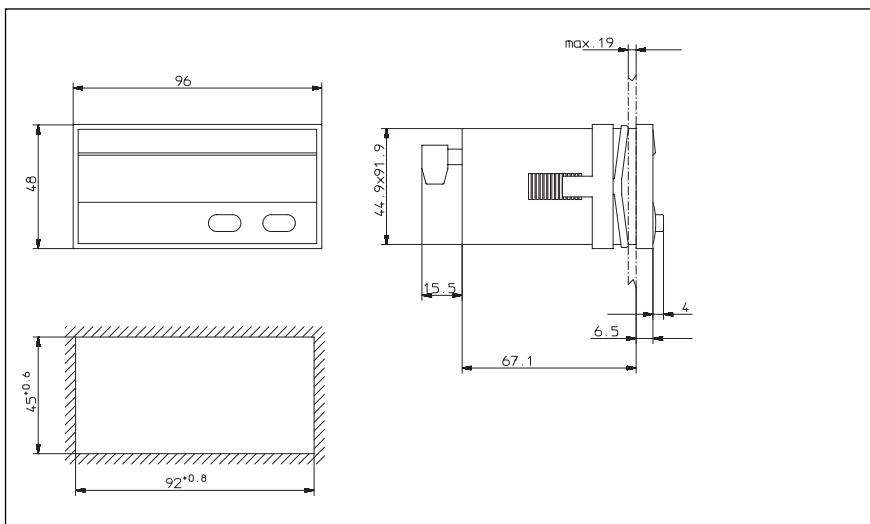
Product features

- Display range 0 ... 999 999 with zero blanking
- Connection via screw terminal
- disable SET-key for reset
- Modern **CODIX**-Design

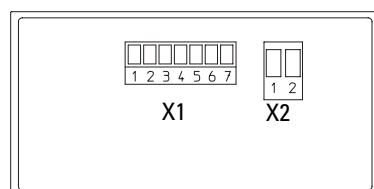
Technical data

Supply voltage(U_B):	10 ... 30 V DC, with reverse polarity protection 90 ... 260 V AC	Switching level of Inputs:	DC-version: Low: 0 ... 0,2 x U_B [V DC] High: 0,6 x U_B ... 30 V DC
Current consumption:	max. 50 mA, 6 VA		AC-version Low 0 ... 4 V DC High 12 ... 30 V DC
Display:	6 digit red 7 segment LED display; 14 mm high	Voltage output for sensors:	24 V DC \pm 15 %/100 mA for AC-version
Data backup:	EEPROM	Ambient temperature:	-10 ... +50 °C
Housing:	Dimensions 48 x 24 mm according to DIN 43 700; RAL 7021, grey	Storage temperature:	-25 ... +70 °C
Polarity of Inputs;	programmable, npn or pnp for al inputs	EMC:	according to EMC directive 89/36/EWG
Input resistance:	appr. 10 k Ω	Interference emmissions:	EN 50081-2/EN 55011 class B
Resolution	up to 0.001 s	Interference resistance:	EN 6100-6-2
Reset time:	5 ms	Protection:	IP 65 (front)
		Weight:	appr. 150 g

Dimensions:



Connections:



Connections X2

Pin	AC version	DC version
1	90 ... 260 V AC	0 V DC (GND)
2	90 ... 260 V AC	10 ... 30 V DC

Connections X1

Pin	AC version	DC version
1	n.c.	
2	n.c.	
3	Reset	
4	INP B	
5	INP A	
6	GNDout	n.c.
7	+24 Vout	n.c.

Order code:

6.548.012.X00

Supply voltage
 0 = 90 ... 260 V AC
 3 = 10 ... 30 V DC

Delivery specification:

- Digital display
- Panel mounting clip
- Gasket
- Operating instructions multilingual