

Type series HK 17



- 7- or 8-digit hour meter for AC or DC voltage
- Without reset
- High shock resistance
- Small dimensions
- Magnified figures
- Protection IP 65 (front)
- Data retention if power is lost
- Long service life
- UL-approved

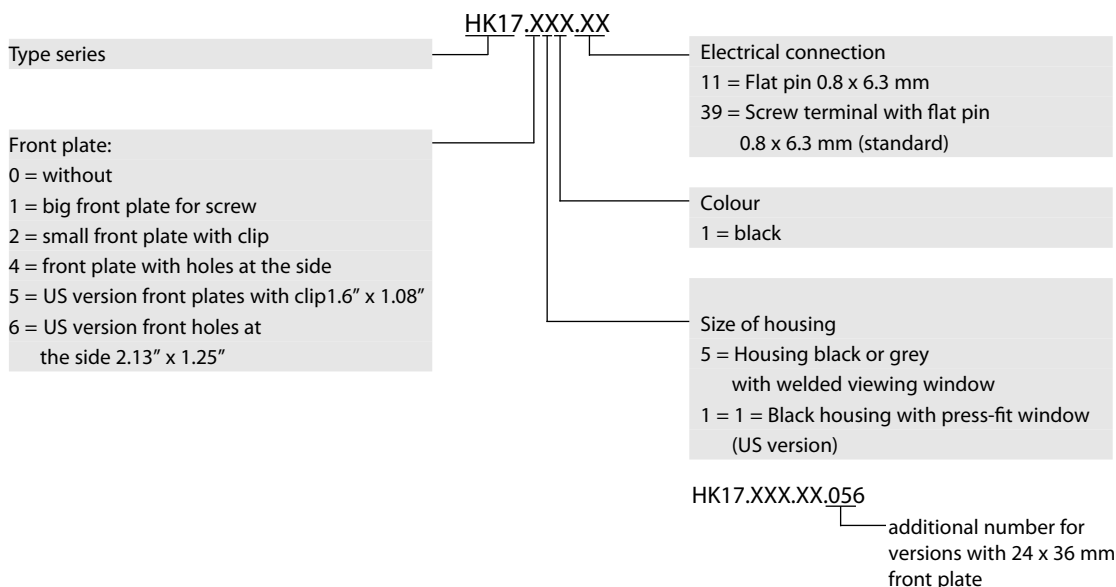
Applications

general counting, service interval for measurement systems (respiratory ventilators, oxygen machines, dialysis machines), small appliances, UV lamps, display panels in cars.

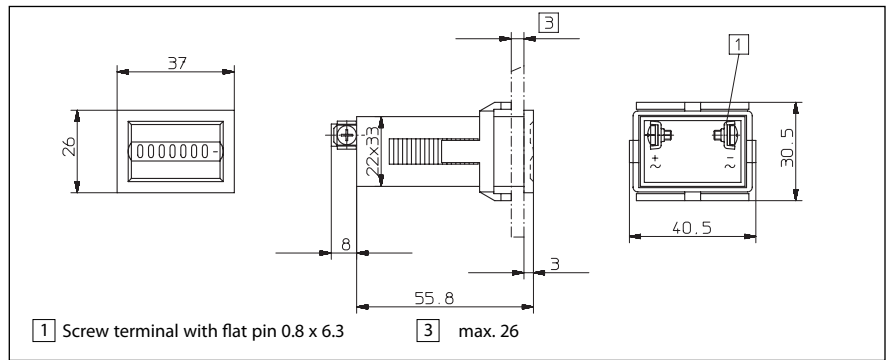
Technical data:

Electrical connection:	Flat pins 0.8 x 6.3 mm with screw terminals or flat pins 0.8 x 6.3 mm only	Ambient temperature:	-15 ... +50 °C
Power consumption:	10 ... 30 V DC: appr. 500 mW 36 ... 80 V DC: appr. 900 mW 100 ... 130 V DC: appr. 750 mW 20 ... 30 V AC, 50 Hz: appr. 0.3 VA 42 ... 48 V AC, 50 Hz: appr. 0.25 VA 100 ... 130 V AC, 50 Hz: appr. 0.6 VA 187 ... 264 V AC, 50 Hz: appr. 1.2 VA 360 ... 440 V AC, 50 Hz: appr. 1.65 VA	Mounting position:	any
Rated voltages:	20 ... 30, 42 ... 48, 100 ... 130, 187 ... 264, 360 ... 440 V AC 50 or 60 Hz, 10 ... 30, 36 ... 80, 100 ... 130 V DC	Execution:	
Display:	7 resp. 8 99999.99 at AC 999999.99 at DC	Protection:	IP 65 (front)
Height of figures:	3.8 x 1.7 mm magnified	Housing:	Plastic, types with Protection IP 65 are sealed
Colour of figures:	white and red on black	Weight:	appr. 40 g
		Options:	1. Colour of housing grey: Art-No. 3.130.X50.XXX 2. Counter with flat pin 0.8 x 6.3 mm Art-No. 3.138.X51.XXX

Order code:

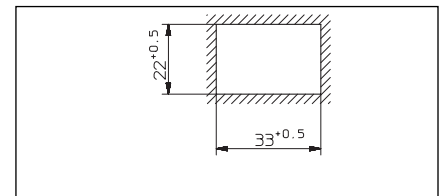


HK 17.251

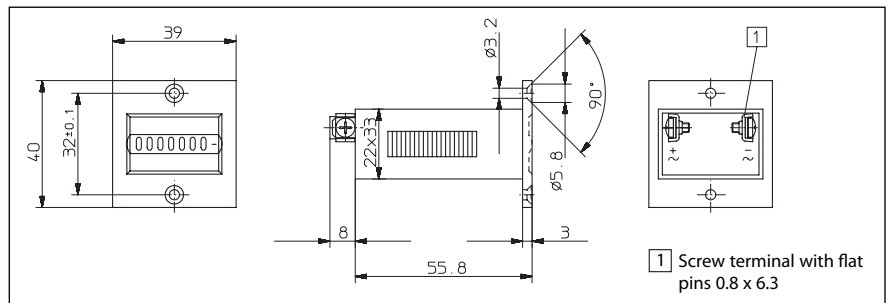


Voltage	Art-No. (AC), 50 Hz	Art-No. (AC), 60 Hz	Art-No. (V DC)
10 ... 30			3.130.251.351
20 ... 30	3.130.251.071	3.130.251.081	
36 ... 80			3.130.251.353
42 ... 48	3.130.251.072	3.130.251.082	
100 ... 130	3.130.251.074	3.130.251.084	3.130.251.381
187 ... 264	3.130.251.075	3.130.251.085	
360 ... 440	3.130.251.079	3.130.251.089	

Panel cut-out

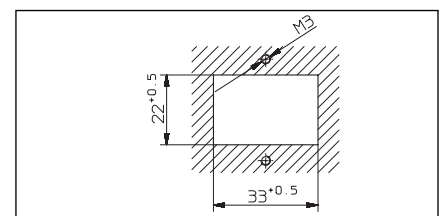


HK 17.151

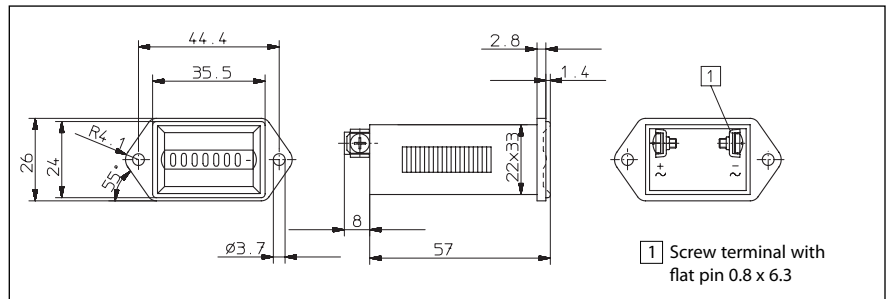


Voltage	Art-No. (AC), 50 Hz	Art-No. (AC), 60 Hz	Art-No. (V DC)
10 ... 30			3.130.151.351
20 ... 30	3.130.151.071	3.130.151.081	
36 ... 80			3.130.151.353
42 ... 48	3.130.151.072	3.130.151.082	
100 ... 130	3.130.151.074	3.130.151.084	3.130.151.381
187 ... 264	3.130.151.075	3.130.151.085	
360 ... 440	3.130.151.079	3.130.151.089	

Panel cut-out



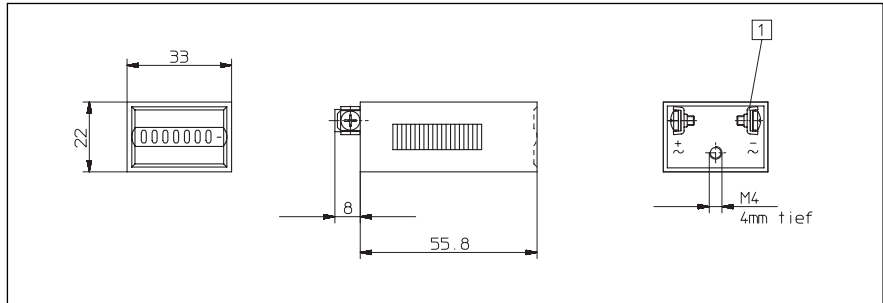
HK 17.451



Voltage	Art-No. (AC), 50 Hz	Art-No. (AC) 60 Hz	Art-No. (V DC)
10...30			3.130.051.351
20...30	3.130.451.071	3.130.451.081	
36...80			3.130.051.353
42...48	3.130.451.072	3.130.451.082	
100...130	3.130.451.074	3.130.451.084	3.130.051.381
187...264	3.130.451.075	3.130.451.085	
360...440	3.130.451.079	3.130.451.089	

Time meter

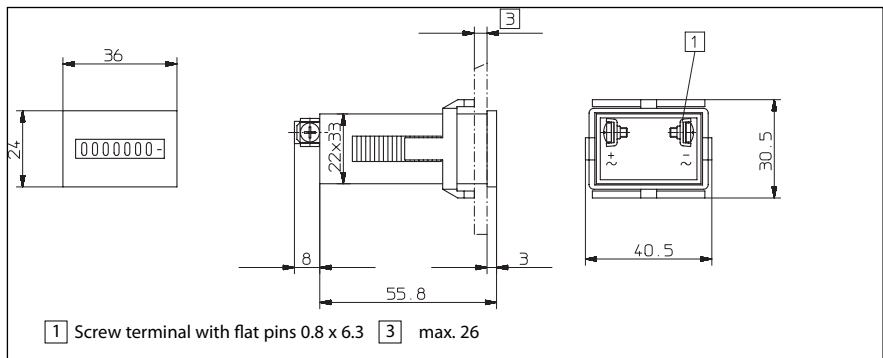
HK 17.051



Voltage	Art-No. (AC), 50 Hz	Art-No. (AC), 60 Hz	Art-No.(V DC)
10 ... 30			3.130.051.351
20 ... 30	3.130.051.071	3.130.051.081	
36 ... 80			3.130.051.353
42 ... 48	3.130.051.072	3.130.051.082	
100 ... 130	3.130.051.074	3.130.051.084	3.130.051.381
187 ... 264	3.130.051.075	3.130.051.085	
360 ... 440	3.130.051.079	3.130.051.089	

1 Screw terminal with flat pins 0.8 x 6.3

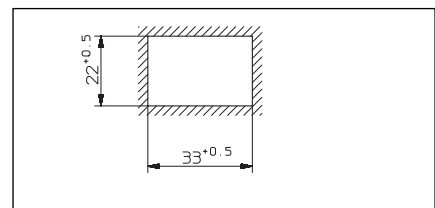
HK 17.251.56



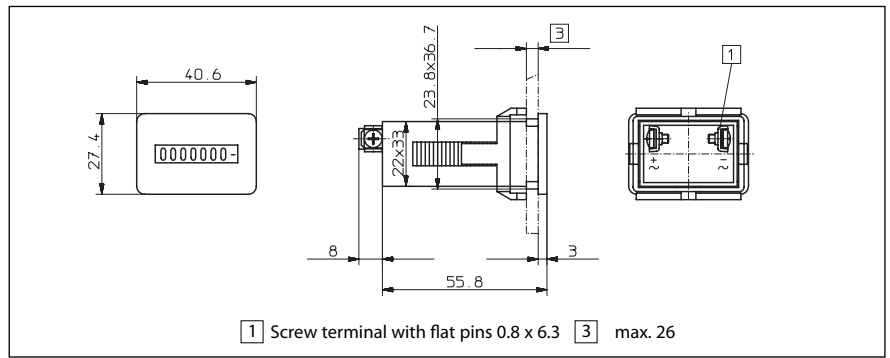
1 Screw terminal with flat pins 0.8 x 6.3 3 max. 26

Voltage	Art-No. (V AC), 50 Hz	Art-No. (V AC), 60 Hz	Art-No.(V DC)
10 ... 30			3.130.251.351.056
20 ... 30	3.130.251.071.056	3.130.251.081.056	
36 ... 80			3.130.251.353.056
42 ... 48	3.130.251.072.056	3.130.251.082.056	
100 ... 130	3.130.251.074.056	3.130.251.084.056	3.130.251.381.056
187 ... 264	3.130.251.075.056	3.130.251.085.056	
360 ... 440	3.130.251.079.056	3.130.251.089.056	

Panel cut-out

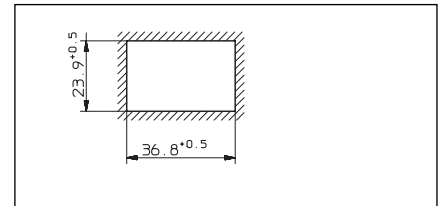


HK 17.511

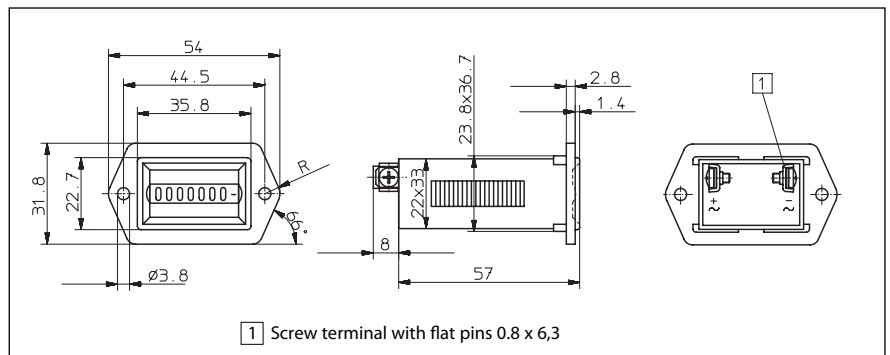


Voltage	Art-No. (AC), 50 Hz	Art-No. (AC), 60 Hz	Art-No.(V DC)
10 ... 30			3.130.511.351
20 ... 30	3.130.511.071	3.130.511.081	
36 ... 80			3.130.511.353
42 ... 48	3.130.511.072	3.130.511.082	
100 ... 130	3.130.511.074	3.130.511.084	3.130.511.381
187 ... 264	3.130.511.075	3.130.511.085	
360 ... 440	3.130.511.079	3.130.511.089	

Panel cut-out



HK 17.611



Voltage	Art-No. (AC), 50 Hz	Art-No. (AC), 60 Hz	Art-No.(V DC)
10 ... 30			3.130.611.351
20 ... 30	3.130.611.071	3.130.611.081	
36 ... 80			3.130.611.353
42 ... 48	3.130.611.072	3.130.611.082	
100 ... 130	3.130.611.074	3.130.611.084	3.130.611.381
187 ... 264	3.130.611.075	3.130.611.085	
360 ... 440	3.130.611.079	3.130.611.089	