



529
530
55X

R.100.594

Process displays, Process controllers

CODIX

CODIX 529-530

- Very bright LED display, height 8 mm
- DIN housing, 48 x 24 mm
- Programmable operating curve for standard signals
- Reduced set-up time thanks to the easy programming

CODIX 550-555

- Very bright LED display, height 14mm
- DIN housing, 96 x 48 mm
- Programmable operating curve for standard signals, thermocouples, resistance thermometers,...
- Programmable operating curve, even non-linear, allowing to use economical sensors
- Reduced set-up time thanks to the easy programming
- Simple and safe operation, even when wearing gloves
- With and without limit values



Always the right choice...

One family principle: The right device for every application



CODIX 529-530



CODIX 550-555

Common features **CODIX 529, 530:**

- DIN housing 48 x 24 mm
- Very bright 5-digit LED display
- Character height: 8 mm
- Resolution 14 bits
- Simple menu-driven programming, and operation with 2 keys
- Electrical connections by means of screw terminals
- Voltage supply: 10-30 VDC
- IP 65 (front)

Common features **CODIX 550-555:**

- DIN housing 96 x 48 mm
- Very bright 5-digit LED display
- Character height: 14 mm
- Resolution 14 bits
- Simple menu-driven programming, and operation with 2-4 keys
- Electrical connections by means of plug-in screw terminals
- Voltage supply: 10-30 VDC or 90-260 VAC
- IP 65 (front)
- Auxiliary power supply output for measuring transducer/measuring sensor execution 10..30 VDC: 10 VDC \pm 2%, 30 mA execution 90..260 VAC: 24 VDC \pm 15%, 50 mA and 10 VDC \pm 2%, 30 mA
- Hum eliminator (50/60 Hz user selectable)

CODIX process indicators and process controllers:

Type	529	530	550	551	552	553	554	555
Inputs								
Current measuring	x	x	x		x	x		x
Voltage measuring	x	x	x		x	x		x
Millivolt range				x			x	
Resistance thermometers				x			x	
Thermocouples				x			x	
Limit values programable						2	2	2
Integrator (totaliser)		x			x			x
Supply voltage								
10..30 VDC	x	x	x	x	x	x	x	x
90..260 VAC			x	x	x	x	x	x
Housing dimensions								
DIN 48 x 24 mm	x	x						
DIN 96 x 48 mm			x	x	x	x	x	x

Situation 4.99. The **CODIX** family is constantly growing.

CODIX 529

Process display

- Display range -19.999..99.999
- Input ranges:
0..20 mA, 4..20 mA
0..10 V, 2..10 V
- Current measurement input
- Voltage measurement input
- Programmable operating curve
- Automatic recording of the maximum and minimum values (can be locked by the set-up)
- Displayed value recording input (Latch)
- **Order code:**
6.529.012.300

CODIX 530

Process display with totaliser

- Display range -19.999..99.999
- Input ranges:
0..20 mA, 4..20 mA
0..10 V, 2..10 V
- Current measurement input
- Voltage measurement input
- Programmable operating curve
- Programmable input: displayed value recording input (Latch) or adding counter resetting input
- Programmable mains hum filter(50/60 Hz)
- **Order code:**
6.530.012.300

CODIX 550

Process display

- Display range -19.999..99.999
- Input ranges:
0..20 mA, 4..20 mA
0..10 V, 2..10 V
-10..+10 V
- Programmable input operating curve with up to 24 reference points
- Automatic recording of the maximum and minimum values
- SET key to reset the maximum and minimum values
- Current measurement input
- Voltage measurement input
- Latch input (displayed value recording)
- **Order code:**
6.550.012.X00
 - Supply voltage
0 = 90..260VAC
3 = 10..30 VDC

CODIX 551

Process display for thermocouples, resistance thermometers and sensors with mV range

- Display range -19.999..99.999
- Input ranges:
0.400 Ω , 0.4000 Ω
0..100 mV, -100..+100 mV
Thermocouples
- Integrated operating curves for thermocouples (types B, C, D, E, G, J, K, L, N, R, S, T, U)
- Programmable input operating curve with up to 24 reference points
- Automatic recording of the maximum and minimum values
- SET key to reset the maximum and minimum values
- Inputs: thermocouple, millivolt, resistance thermometer with measurement on 2, 3 or 4 wires, Latch input (displayed value recording)
- **Order code:**
6.551.012.X00
 - Supply voltage
0 = 90..260VAC
3 = 10..30 VDC

CODIX 552

Process display with totaliser

- Display range -19.999..99.999
- Input ranges:
0..20 mA, 4..20 mA
0..10 V, 2..10 V
-10..+10 V
- Programmable input operating curve with up to 24 reference points
- Adding counter for the integration (sum calculation) of the measured values (e. g. throughput measurement (filling level))
- Scale factor for the adding counter
- SET key to reset the adding counter
- Current measurement input
- Voltage measurement input
- Latch input (displayed value recording)
- **Order code:**
6.552.012.X00
 - Supply voltage
0 = 90..260VAC
3 = 10..30 VDC

CODIX 553

Process controller with two limit values

- Display range -19.999..99.999
- Input ranges:
0..20 mA, 4..20 mA
0..10 V, 2..10 V
-10..+10 V
- Programmable input operating curve with up to 24 reference points
- 2 programmable limit values
- Outputs: relay with change-over contact (250 VAC / 3 A) or optocoupler (NPN ; 30 VDC, 15 mA)
- Programmable hysteresis (on, off, on/off)
- SET key to reset the outputs
- Inputs: current measurement input, voltage measurement input, RESET to reset the outputs, KEY to lock the front side keys
- **Order code:**
6.553.01X.X00

Supply voltage
0 = 90..260VAC
3 = 10..30 VDC

Output
0 = relay
1 = optocoupler

CODIX 554

Process controller for thermocouples, resistance thermometers and sensors with mV range; two limit values

- Display range -19.999..99.999
- Input ranges:
0.400 Ω , 0.4000 Ω
0..100 mV, -100..+100 mV
Thermocouples
- Integrated operating curves for thermocouples (types B, C, D, E, G, J, K, L, N, R, S, T, U)
- Programmable input operating curve with up to 24 reference points
- 2 programmable limit values
- Outputs: relay with change-over contact (250 VAC / 3 A) or optocoupler (NPN ; 30 VDC, 15 mA)
- Programmable hysteresis (on, off, on/off)
- SET key to reset the outputs
- Inputs: thermocouple, millivolt, resistance thermometer with measurement on 2, 3 or 4 wires, RESET to reset the outputs, KEY to lock the front side keys
- **Order code:**
6.554.01X.X00

Supply voltage
0 = 90..260VAC
3 = 10..30 VDC

Output
0 = relay
1 = optocoupler

CODIX 555

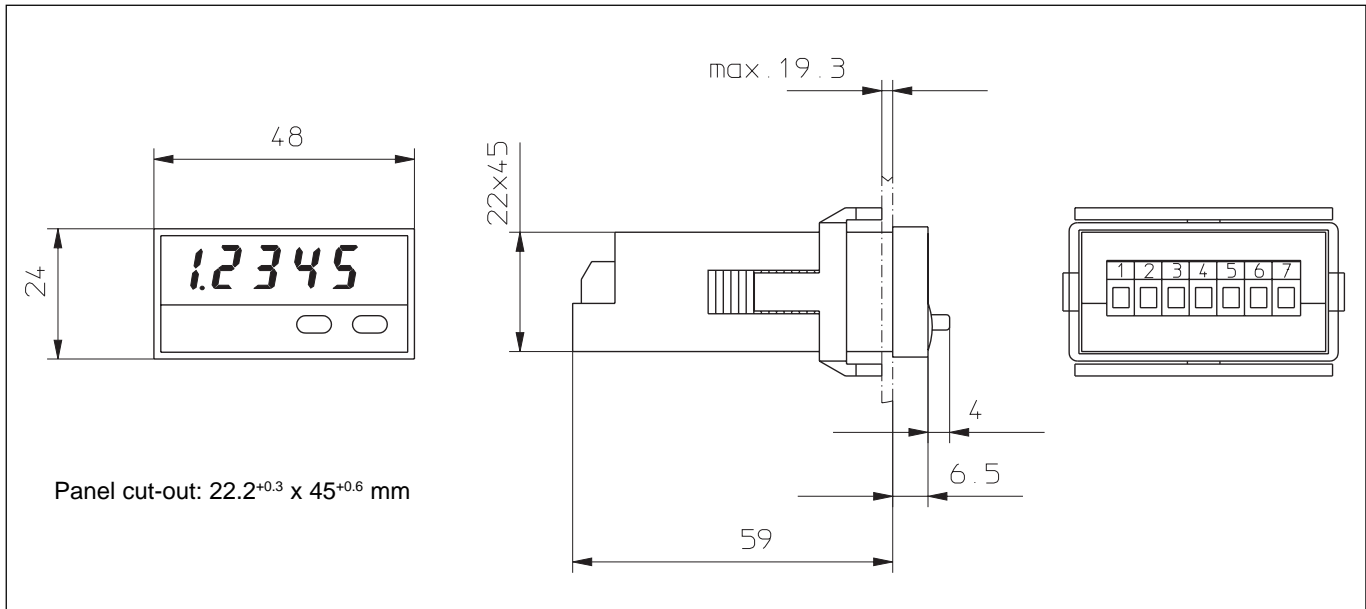
Process controller with totaliser and two limit values

- Display range -19.999..99.999
- Input ranges:
0..20 mA, 4..20 mA
0..10 V, 2..10 V
-10..+10 V
- Programmable input operating curve with up to 24 reference points
- Adding counter for the integration (sum calculation) of the measured values (e. g. throughput measurement (filling level))
- Scale factor for the adding counter
- 2 programmable limit values. For the measured value or for the sum.
- Outputs: relay with change-over contact (250 VAC / 3 A) or optocoupler (NPN ; 30 VDC, 15 mA)
- Programmable hysteresis (on, off, on/off)
- SET key to reset the outputs or the adding counter
- Inputs: current measurement input, voltage measurement input, RESET to reset the outputs, KEY to lock the front side keys
- **Order code:**
6.555.01X.X00

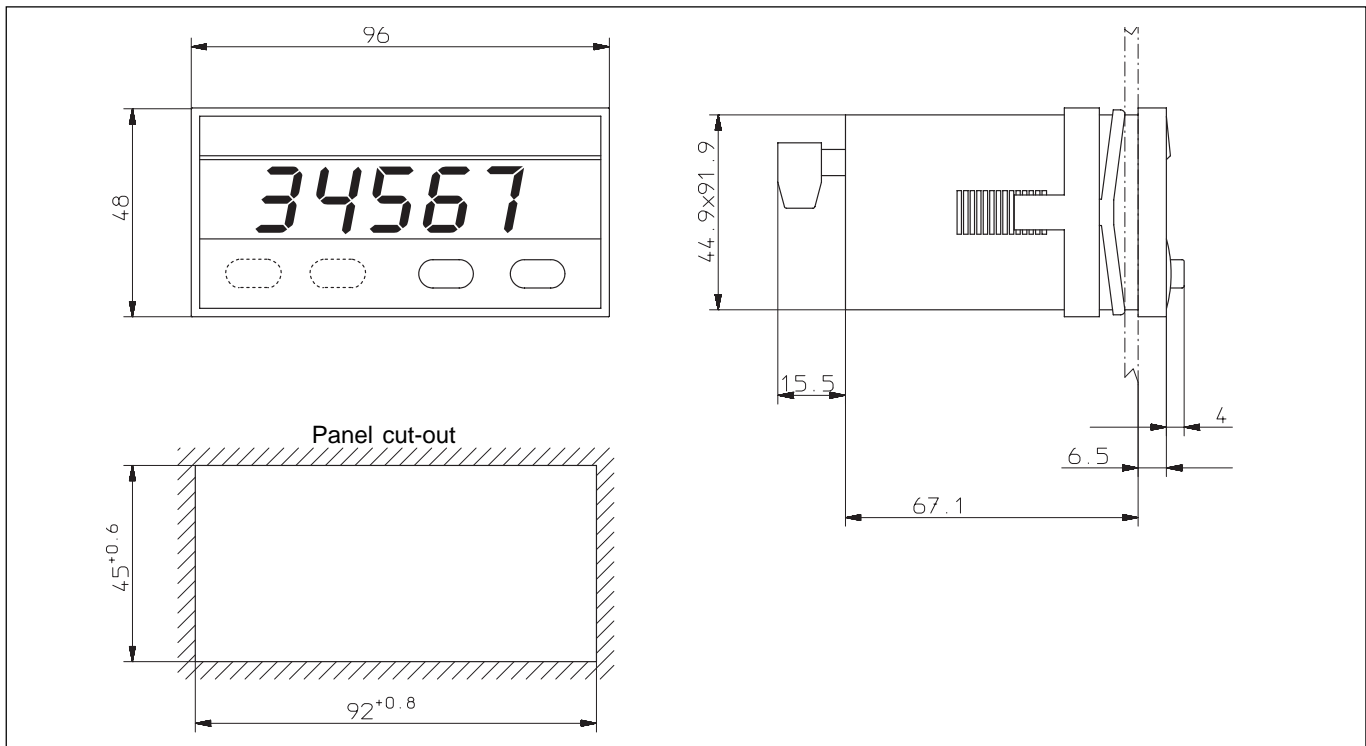
Supply voltage
0 = 90..260VAC
3 = 10..30 VDC

Output
0 = relay
1 = optocoupler

Dimensions CODIX 529-530:



Dimensions CODIX 550-555:



Application examples:



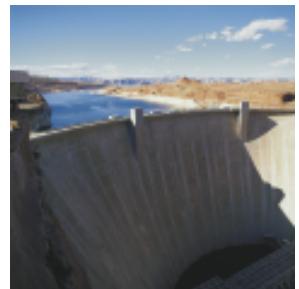
Pressure measurement



Temperature measurement



Flow measurement



Level measurement

Factory Authorized Sales Agent & Distributor: Global Industrial Products, 20 North Wacker Ste 1741, Chicago, IL 60606

TOLL-FREE: 1-800-951-8774

TEL: 1-312-251-8774 FAX: 1-312-251-8776

SALES@GLOBALEPOWER.COM * WWW.GLOBALEPOWER.COM

