

# Hour Meters

Type series HB 26



## General Description

6 digit hour meter for AC- or DC-voltages with manual reset.

Panel mount with different front panel types.

Type HB 26.01 is pluggable into socket box 945.2 and may be combined within the front frames F2B, F3B and F4B with pulse counters of the B-, Bva or Mvs-series.

Display: 9999.99 h for AC models  
99999.9 h for DC models

Frequency standard:  
50 or 60 Hz for AC models  
quartz for DC models

Drive: Synchronous motor for AC  
Stepping motor for DC

## Applications:

Indication of machine run time or time between services.  
Machine utilization timing for pricing etc.

## Technical Data:

Characters: 4.5 mm high  
Hours white on black  
Decimals red on white

Mounting position: optional

Operating voltages: 24, 115, 230 VAC  
± 10%, 50 Hz or 60 Hz  
12–24, 36–80, 115 VDC ± 15%

Power consumption:  
approx. 500 mW at 10–30 VDC  
approx. 900 mW at 36–80 VDC  
approx. 750 mW at 100–130 VDC  
approx. 0.3 VA 20–30 VAC  
approx. 0.25 VA at 42–48 VAC  
approx. 0.6 VA at 100–130 VAC  
approx. 1.2 VA at 187–264 VAC  
approx. 1.65 VA at 360–440 VAC

Electric connection:  
Cable 2 x 0.5 mm<sup>2</sup>, NYFAZ, 0.5 m long  
AC: grey/grey  
DC: red +, black –  
Type HB 26.01 with round pins  
(pluggable into socket box 945.2)

Test voltage:  
2000 VAC, 50 Hz (AC-versions)

Permissible ambient temperature:  
– 15°C... + 50°C

Protection:  
IP 42, front side  
Sealing cover K1: IP 54, front side  
Transparent cover Dv and Dvs:  
IP 55, front side

Colour of housing: black (standard)  
grey or beige to be specially ordered.

Weight: 60 g

## Options:

Additional operating voltages

Bolt locking reset,  
colour of housing:

grey	Art.-No. 3.160.X06.XXX
black	Art.-No. 3.160.X07.XXX
beige	Art.-No. 3.160.008.XXX

Flat pins 0.8 x 2.8 mm  
with push-on connectors  
Art.-No. 3.167.X11.XXX

Flat pins 0.8 x 6.3 mm  
without push-on connectors  
Art.-No. 3.168.X11.XXX

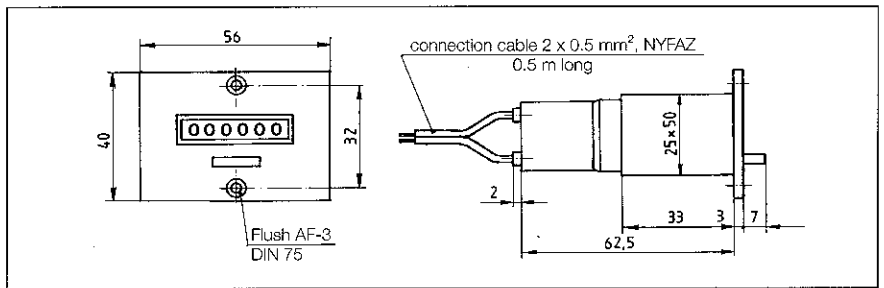
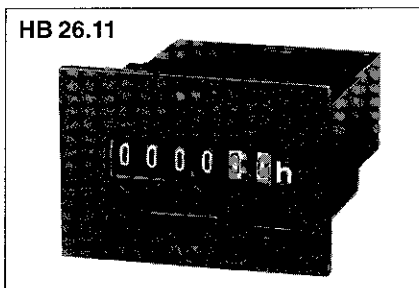
## Accessories:

Socket box 945.2 Art.-No. G.008.434

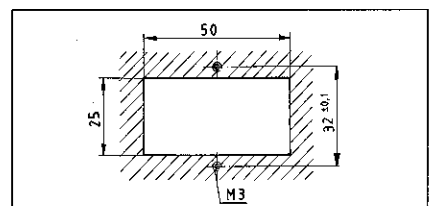
Flexible sealing cover  
K1 grey Art.-No. G.008.300  
K1 black Art.-No. G.008.301

Front bezel  
F1B beige Art.-No. G.007.501  
F1B black Art.-No. G.007.502

Dummy housing 50 x 25 mm  
grey Art.-No. T.005.752  
black Art.-No. T.005.753



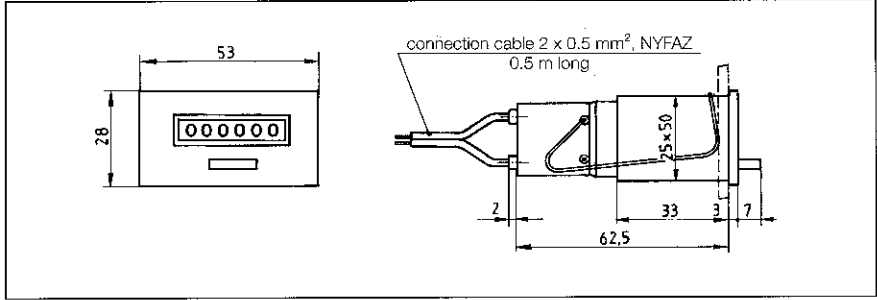
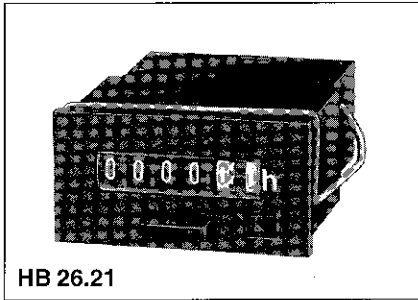
Voltage	Art.-No. (AC), 50 Hz	Art.-No. (AC), 60 Hz	Art.-No. (VDC)
10–30			3.160.111.351
20–30	3.160.111.071	3.160.111.081	
36–80			3.160.111.353
42–48	3.160.111.072	3.160.111.082	
100–130	3.160.111.074	3.160.111.084	3.160.111.381
187–264	3.160.111.075	3.160.111.085	
360–440	3.160.111.079	3.160.111.089	



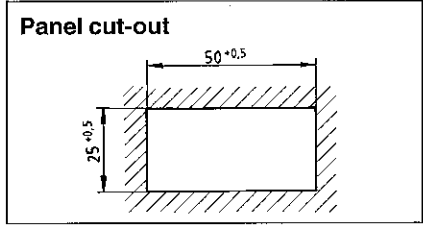
Colour of housing grey: Art.-No. 3.160.110.XXX

# Hour Meters

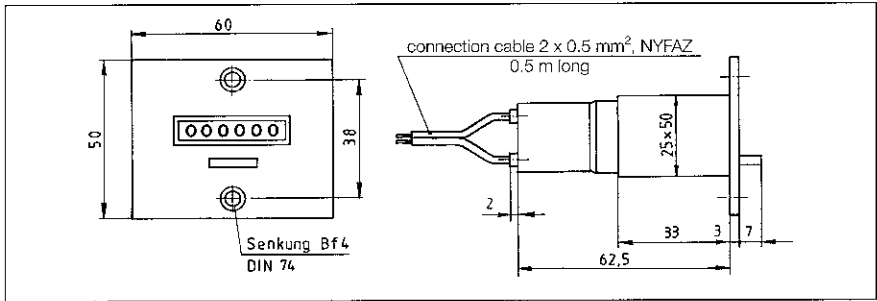
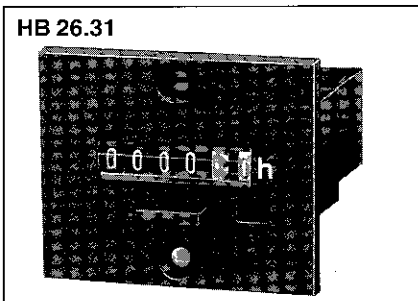
Type series HB 26



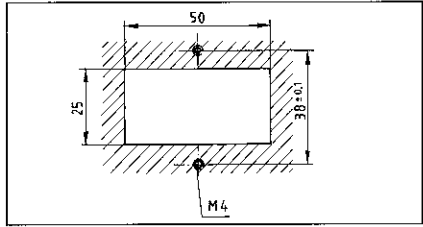
Voltage	Article No. (AC), 50 Hz	Article No. (AC), 60 Hz	Article No. (VDC)
10-30			3.160.211.351
20-30	3.160.211.071	3.160.211.081	
36-80			3.160.211.353
42-48	3.160.211.072	3.160.211.082	
100-130	3.160.211.074	3.160.211.084	3.160.211.381
187-264	3.160.211.075	3.160.211.085	
360-440	3.160.211.079	3.160.211.089	



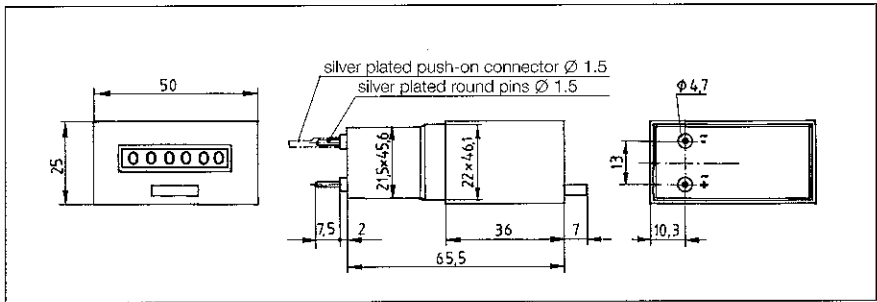
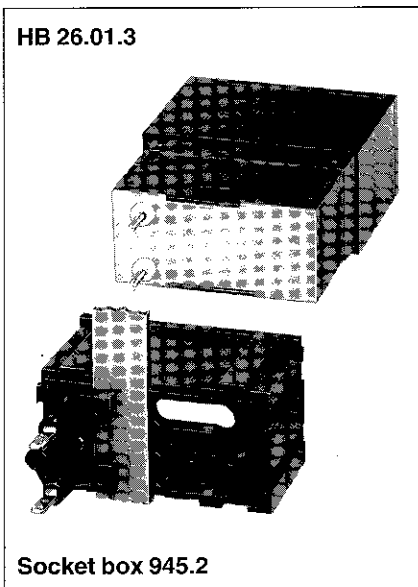
Colour of housing grey: Art.-No. 3.160.210.XXX



Voltage	Article No. (AC), 50 Hz	Article No. (AC), 60 Hz	Article No. (VDC)
10-30			3.160.311.351
20-30	3.160.311.071	3.160.311.081	
36-80			3.160.311.353
42-48	3.160.311.072	3.160.311.082	
100-130	3.160.311.074	3.160.311.084	3.160.311.381
187-264	3.160.311.075	3.160.311.085	
360-440	3.160.311.079	3.160.311.089	



Colour of housing grey: Art.-No. 3.160.310.XXX



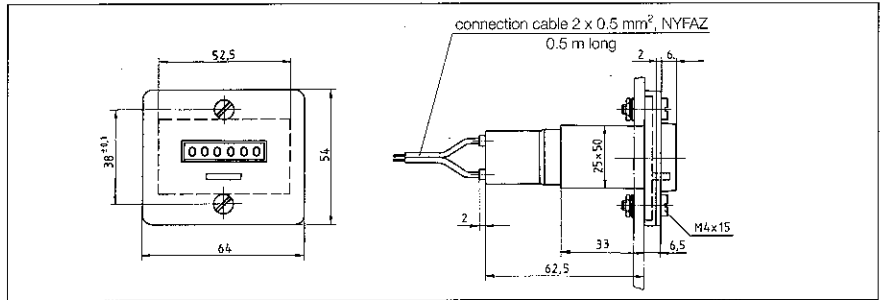
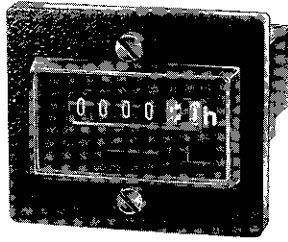
Voltage	Article No. (AC), 50 Hz	Article No. (AC), 60 Hz	Article No. (VDC)
10-30			3.165.011.351
20-30	3.165.011.071	3.165.011.081	
36-80			3.165.011.353
42-48	3.165.011.072	3.165.011.082	
100-130	3.165.011.074	3.165.011.084	3.165.011.381
187-264	3.165.011.075	3.165.011.085	
360-440	3.165.011.079	3.165.011.089	

Colour of housing beige: Art.-No. 3.165.012.XXX · Socket box 945.2: Art.-No. G.008.434

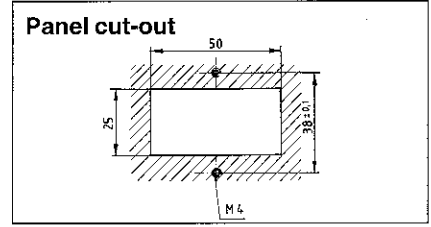
# Hour Meters

Type series HB 26

**K1HB 26.31**

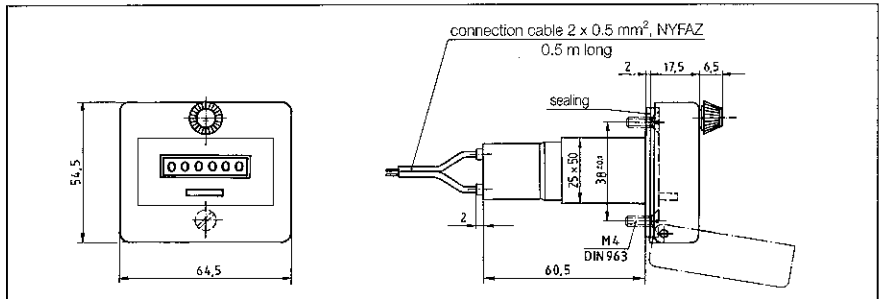
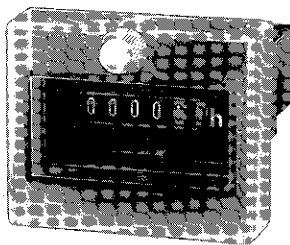


Voltage	Article No. (AC), 50 Hz	Article No. (AC), 60 Hz	Article No. (VDC)
10-30			3.160.611.351
20-30	3.160.611.071	3.160.611.081	
36-80			3.160.611.353
42-48	3.160.611.072	3.160.611.082	
100-130	3.160.611.074	3.160.611.084	3.160.611.381
187-264	3.160.611.075	3.160.611.085	
360-440	3.160.611.079	3.160.611.089	

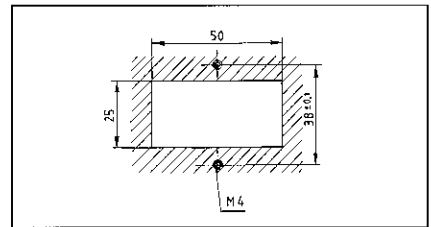


Colour of housing grey: Art.-Nr. 3.160.610.XXX

**DvHB 26.31**

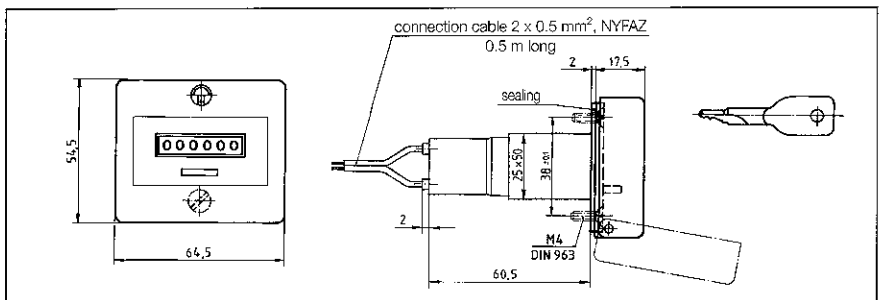
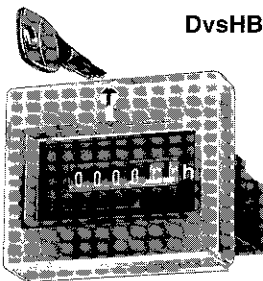


Voltage	Article No. (AC), 50 Hz	Article No. (AC), 60 Hz	Article No. (VDC)
10-30			3.160.711.351
20-30	3.160.711.071	3.160.711.081	
36-80			3.160.711.353
42-48	3.160.711.072	3.160.711.082	
100-130	3.160.711.074	3.160.711.084	3.160.711.381
187-264	3.160.711.075	3.160.711.085	
360-440	3.160.711.079	3.160.711.089	

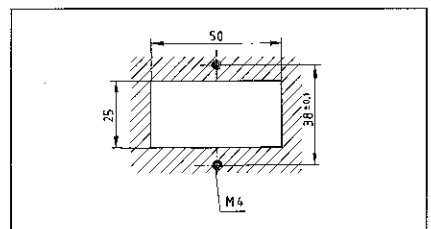


Colour of housing: Art.-Nr. 3.160.710.XXX

**DvsHB 26.31**



Voltage	Article No. (AC), 50 Hz	Article No. (AC), 60 Hz	Article No. (VDC)
10-30			3.160.811.351
20-30	3.160.811.071	3.160.811.081	
36-80			3.160.811.353
42-48	3.160.811.072	3.160.811.082	
100-130	3.160.811.074	3.160.811.084	3.160.811.381
187-264	3.160.811.075	3.160.811.085	
360-440	3.160.811.079	3.160.811.089	

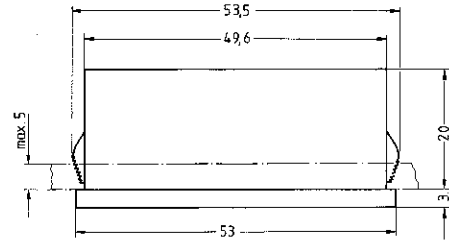
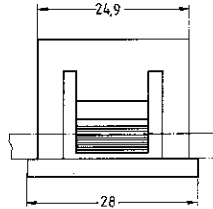
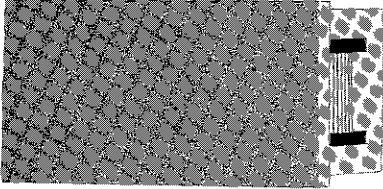


Colour of housing grey: Art.-Nr. 3.160.810.XXX

# Hour Meters

Type series HB 26

**Dummy Housing 50 x 25 mm**  
grey Art.-No. T.005.752  
black Art.-No. T.005.753



HB 26.21 vs

