

Hour Meters

Type series HB 27

General Description

7-digit hours counter for AC- or DC-voltage without zero-reset, plugs into socket box 945.1
 Display: 99999.99 h
 Panel mount
 Frequency standard: 50- or 60-Hz, quartz at DC
 Drive: Synchronous motor at AC stepping motor at DC

Technical data:

Heights of digits: 4 mm
 Hours white on black
 Decimals red on black
 Mounting position: Optional
 Voltages:
 24*, 48*, 115*, 230*, 240* VAC
 50 Hz or 60 Hz
 10–30, 36–80, 100–130 VDC
 *± 10 %
 Normal voltage: 230 VAC, 50 Hz
 Special voltage according to request
 Power consumption:
 approx. 500 mW at 10–30 VDC
 approx. 900 mW at 36–80 VDC
 approx. 750 mW at 100–130 VDC
 approx. 1.3 VA at 6 VAC
 approx. 1.7 VA at 12 VAC
 approx. 2.1 at 48 VAC
 approx. 1.9 VA at 115, 230 and 240 VAC
 Termination:
 Silver plated round pins $\varnothing 1.5$ mm including push-on connectors
 Operating indicator:
 Fast rotating white toothed wheel
 Test voltage: 2000 VAC, 50 Hz on AC-counters
 Permissible ambient temperature:
 – 10°C...+ 50°C at AC
 – 15°C...+ 60°C at DC
 Protection:
 IP 51, DIN 40050 front side
 IP 54 with flexible sealing cover
 Colour of housing: Grey, HB 27.00 beige
 Weight: 60 g

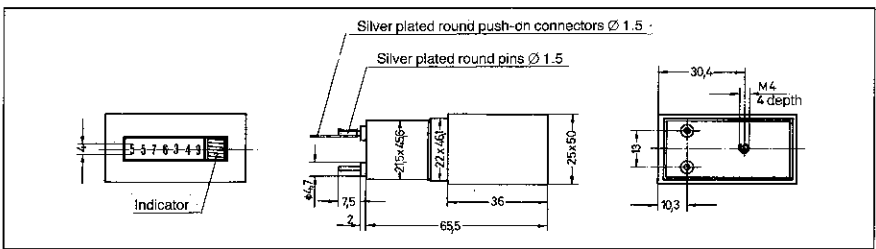
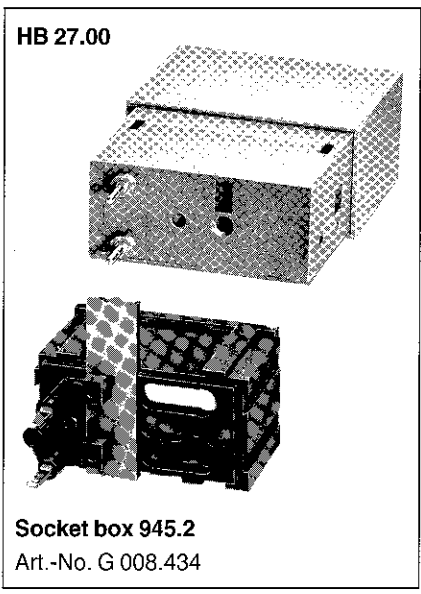


Options:

1. Colour of housing:
 Black Art.-No. 3.200.X01.XXX
 Flexible sealing cover:
 K1 Art.-Nr. 3.200.60X.XXX
 Extended temperature range:
 (on request)
 Flat pins 0.8 x 2.8 mm including push-on connectors
 Art.-No. 3.207.X00.XXX
 Termination:
 Wire leads 2 x 0.5 mm², NYFAZ, 0.5 m long
 Art.-No. 3.205.X00.XXX

Accessories:

Socket box 945.2 Art.-No. G 008.434
 Sealing cover
 K1 grey Art.-No. G 008.300
 K1 black Art.-No. G 008.301
 Front bezels
 F1B beige Art.-No. G 007.501
 F1B black Art.-No. G 007.502
 Dummy housing 25 x 50 mm
 grey Art.-No. T 005.752
 black Art.-No. T 005.753
 (see ill. page 19)



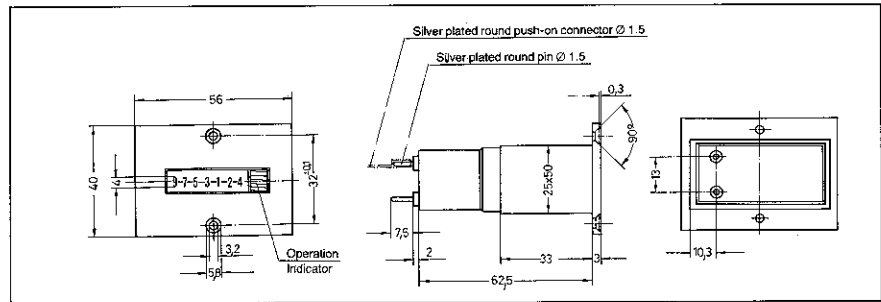
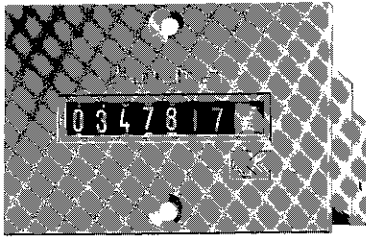
| Voltage | Art.-No. (AC), 50/60 Hz | Art.-No. (VDC) |
|---------|-------------------------|----------------|
| 10–30 | | 3.200.002.351 |
| 24 | 3.200.002.300 | |
| 36–80 | | 3.200.002.353 |
| 48 | 3.200.002.299 | |
| 100–130 | | 3.200.002.381 |
| 115 | 3.200.002.301 | |
| 230 | 3.200.002.302 | |
| 240 | 3.200.002.303 | |

Hour Meters

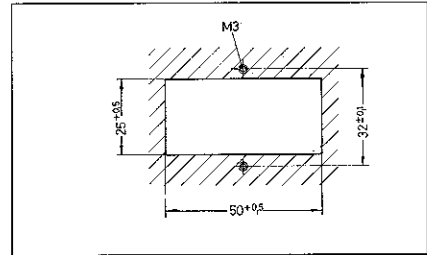
Type series HB 27



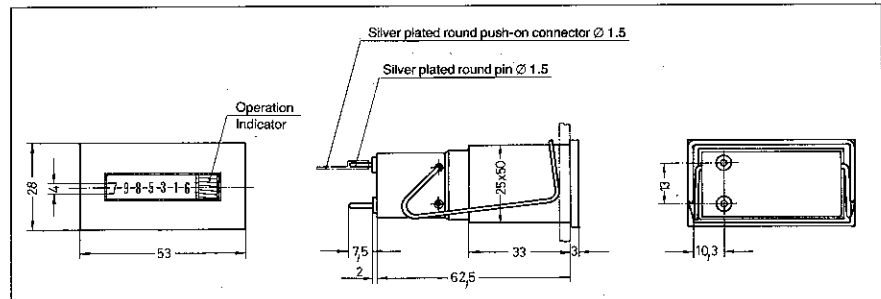
HB 27.10



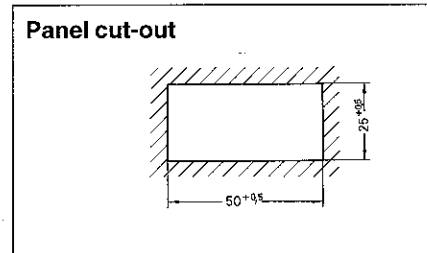
| Voltage | Article No. (AC), 50/60 Hz | Article No. (DC) |
|---------|----------------------------|------------------|
| 10-30 | | 3.200.100.351 |
| 24 | 3.200.100.300 | |
| 36-80 | | 3.200.100.353 |
| 48 | 3.200.100.299 | |
| 100-130 | | 3.200.100.381 |
| 115 | 3.200.100.301 | |
| 230 | 3.200.100.302 | |
| 240 | 3.200.100.303 | |



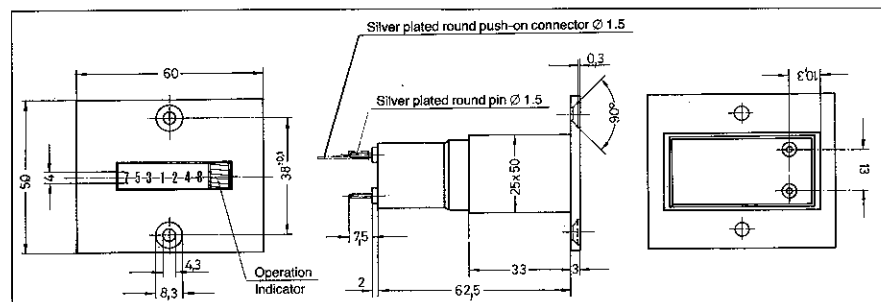
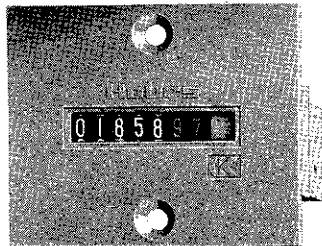
HB 27.20



| Voltage | Article No. (AC), 50/60 Hz | Article No. (DC) |
|---------|----------------------------|------------------|
| 10-30 | | 3.200.200.351 |
| 24 | 3.200.200.300 | |
| 36-80 | | 3.200.200.353 |
| 48 | 3.200.200.299 | |
| 100-130 | | 3.200.200.381 |
| 115 | 3.200.200.301 | |
| 230 | 3.200.200.302 | |
| 240 | 3.200.200.303 | |



HB 27.30



| Voltage | Article No. (AC), 50/60 Hz | Article No. (DC) |
|---------|----------------------------|------------------|
| 10-30 | | 3.200.300.351 |
| 24 | 3.200.300.300 | |
| 36-80 | | 3.200.300.353 |
| 48 | 3.200.300.299 | |
| 100-130 | | 3.200.300.381 |
| 115 | 3.200.300.301 | |
| 230 | 3.200.300.302 | |
| 240 | 3.200.300.303 | |

