

Combination Time and Pulse Meter

Type series HC 77



General Description:

The combination counter consists of a running time meter and an adding counter. In the standard version, these two meters are connected in parallel, this means that the adding counter registers the total number of events and the time meter the total operating time of e.g. a motor, apparatus etc.

Running time meter:

Counting range: 99999.99 h at AC
999999.99 h at DC

Frequency standard:

50- or 60 Hz network at AC

Quartz at DC

Drive:

Synchronous motor at AC

Stepping (pulse) motor at DC

Adding counter:

Counting range: 9999999 pulses

The combination meter HC 77 is a built-in meter with clamp clip attachment in the standard 48 x 48 mm case. To simplify storing, plug-in frames 55 x 55 mm and 72 x 72 mm, are available as accessories.

Technical data:

Size of digits 4 x 1.7 optical

Display:

Running time meter:

Hours: white digits, black background

Decimal: red digits, black background

Adding counter: white digits, black background

Operating indicator of the running time meter.

AC: Fast rotating wheel with red dashes.

DC: 1/100 h display turns continuously by 1 digit in 36 s

Mounting position: optional

Voltages:

20–30, 42–48, 100–130, 187–264 VAC
50 Hz or 60 Hz

10–30, 36–80, 100–130 VDC

Standard voltage: 230 VAC, 50 Hz

Special voltage upon request.

Power consumption:

appr. 1 W at 10–30 VDC

appr. 1.65 W at 36–80 VDC

appr. 1.75 W at 100–130 VDC

appr. 0.53 VA at 20–30 VAC, 50 Hz

appr. 0.53 VA at 42–48 VAC, 50 Hz

appr. 1.43 VA at 100–130 VAC, 50 Hz

appr. 3.0 VA at 187–264 VAC, 50 Hz

Electrical connection:

Flat pins 0.8 x 6.3 mm with screw terminal or only 0.8 x 6.3 mm flat pins

Test voltage: 2500 VAC, 50 Hz

Permissible ambient temperature:

– 15° C . . . + 50° C

Protective system (front side):

IP 52 in built-in state

Option: IP 65 (window sealed)

Colour of case:

black (standard)

Weights:

HC 77 65 g

Plug-in frame 55 8 g

Plug-in frame 72 13 g

Applications:

Control of switching-ons of heaters, air-conditioners, etc.

Ordering information:

Model No.:

(For special voltages, etc., indicate exact meter model, voltage and frequency, for example: HC 77, 120 VAC, 60 Hz).

Options:

1. Case colour:

grey: Model No. 3.55X.400.XXX

2. Flat pins 0.8 x 6.3 mm

Model No. 3.55X.40X.XXX.011

3. Separate connections for running time meter and adding counter. This model is available for AC or DC (not mixed).

Electrical connection:

2 x cable 2 x 0.5 mm² NYFAZ, 0.5 m long (running time meter cable: red/black, adding counter: grey cable).

Model No. 3.55X.40X.XXX.060

4. Sealed window (IP 65) with:

– Screw terminal:

Model No. 3.55X.40X.XXX.419

– Flat pins 0.8 x 6.3 mm:

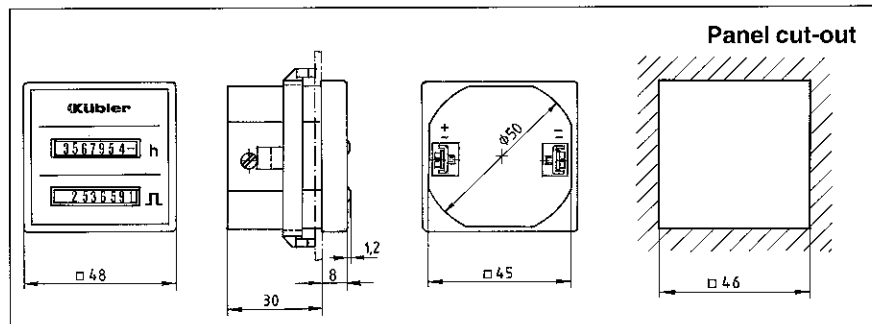
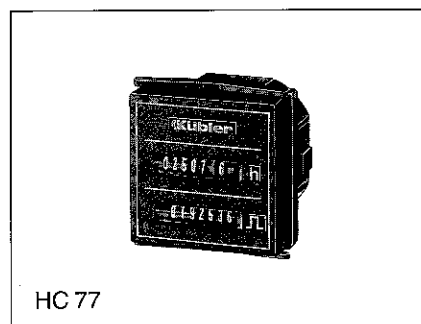
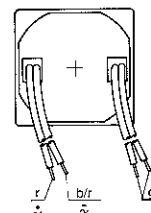
Model No. 3.55X.40X.XXX.062

– Separate connections (cable)

Model No. 3.55X.40X.XXX.061

Approvals:

Meter with separate connections (rear view)

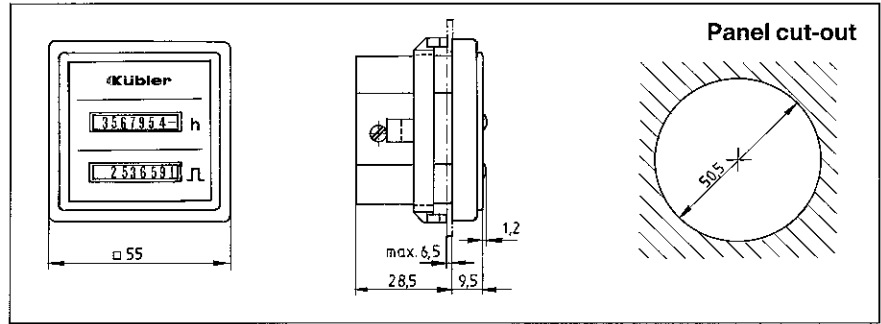
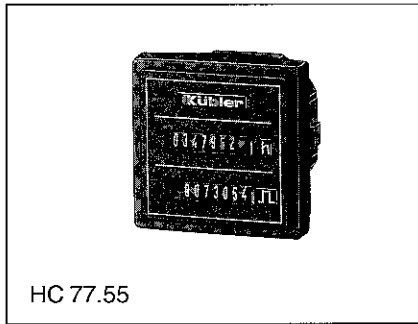


V	Art.-No. (AC) 50 Hz	Art.-No. (AC) 60 Hz	Art.-No. (VDC)
10–30			3.550.401.351
20–30	3.550.401.071	3.550.401.081	
36–80			3.550.401.353
42–48	3.550.401.072	3.550.401.082	
100–130	3.550.401.074	3.550.401.084	3.550.401.381
187–264	3.550.401.075	3.550.401.085	

Colour of housing grey: Art.-No. 3.550.400.XXX

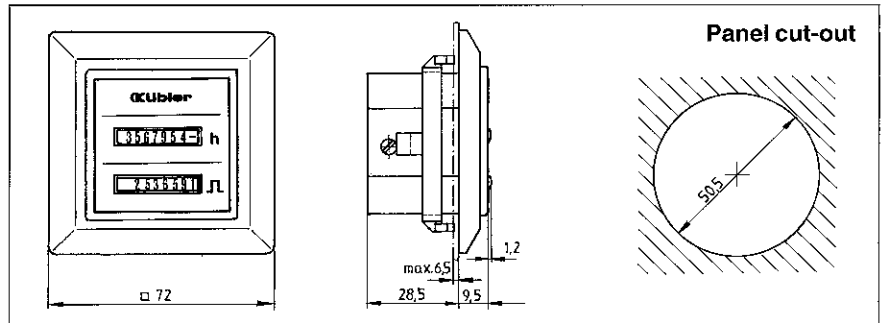
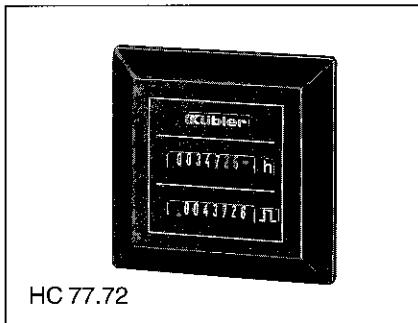
Combination Time and Pulse Meter

Type series HC 77



V	Art.-No. (AC) 50 Hz	Art.-No. (AC) 60 Hz	Art.-No. (VDC)
10-30			3.551.401.351
20-30	3.551.401.071	3.551.401.081	
36-80			3.551.401.353
42-48	3.551.401.072	3.551.401.082	
100-130	3.551.401.074	3.551.401.084	3.551.401.381
187-264	3.551.401.075	3.551.401.085	

Colour of housing grey: Art.-No. 3.551.400.XXX



V	Art.-No. (AC) 50 Hz	Art.-No. (AC) 60 Hz	Art.-No. (VDC)
10-30			3.552.401.351
20-30	3.552.401.071	3.552.401.081	
36-80			3.552.401.353
42-48	3.552.401.072	3.552.401.082	
100-130	3.552.401.074	3.552.401.084	3.552.401.381
187-264	3.552.401.075	3.552.401.085	

Special adaptors for panel cut-outs
66 x 66 mm and 68 x 68 mm are
available.
Adaptor 66 x 66 mm: Art.-No. T.009.423
Adaptor 68 x 68 mm: Art.-No. T.009.420

Colour of housing grey: Art.-No. 3.552.400.XXX

Accessories

Plug-in frame 55
black Art.-No. T 008.171
grey Art.-No. T 008.170

Plug-in frame 72
black Art.-No. T 008.177
grey Art.-No. T 008.176

Plug-in frame Ø 72 mm
for panel cut-out Ø 60 mm, colour black
Art.-No. N.510.226