

# Hour Meters

Type series HR 76



### General Description:

6-digit, water proof hour meter for round panel cut-out.  
 Display: 99999.9 h  
 Quartz-crystal accuracy via a stepping motor drive  
 AC-version for 50/60 Hz  
 DC-version for 10–80 VDC  
 Impact-resistant plastic case  
 Low power consumption

### Technical Data:

Display: 99999.9 h  
 Characters: 3.5 mm high  
 Hours white on black  
 Decimals red on white  
 Mounting position: optional  
 Operating voltages:  
 115, 230 VAC,  $\pm 10\%$ , 50/60 Hz  
 10–80 VDC  
 Power consumption:  
 max. 0.4 VA at AC  
 max. 0.08 W at 12 VDC  
 max. 0.7 W at 48 VDC  
 Accuracy:  
 < 0,02% over entire range

Electrical connection:  
 flat pins 0.8 x 6.3 mm

Permissible ambient temperature:  
 -30°C...+65°C

Protection: IP 65

Colour of housing: black

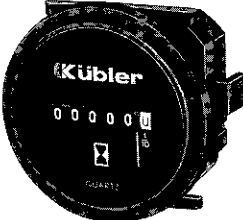
Weights:  
 HR 76.1: 56 g  
 HR 76.2: 54 g

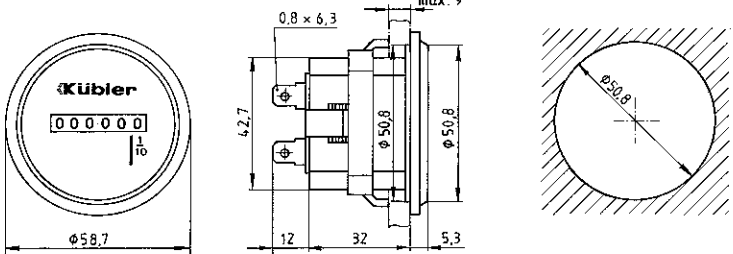
### Applications:

Utility vehicles, construction machines,  
 generators, fork-lift trucks  
 conveyors  
 damp rooms, outside areas.

### Approvals:

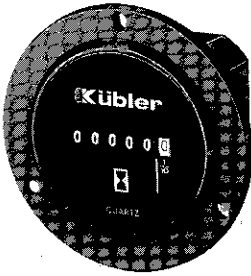
**HR 76.2**

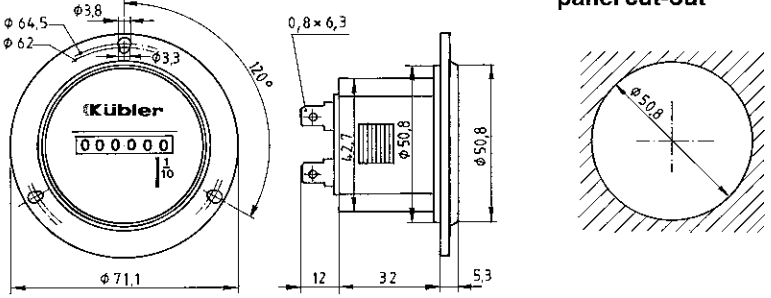




V	Art.-Nr. (AC, 50/60 Hz)	Art.-No. (DC)
10–80		0.135.200.373
115	0.135.200.301	
230	0.135.200.302	

**HR 76.1**





V	Art.-Nr. (AC, 50/60 Hz)	Art.-No. (DC)
10–80		0.135.100.373
115	0.135.100.301	
230	0.135.100.302	