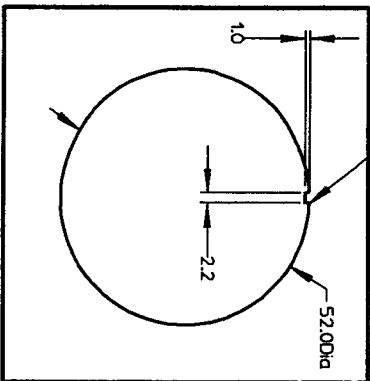
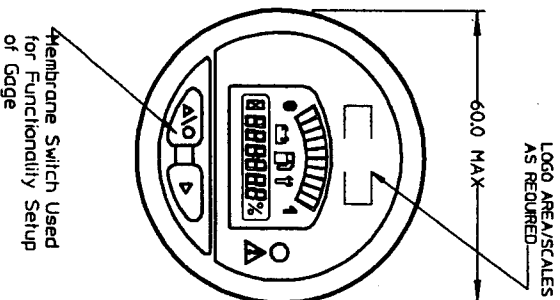
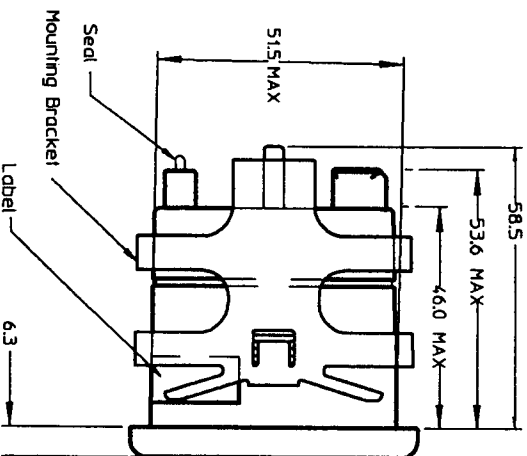
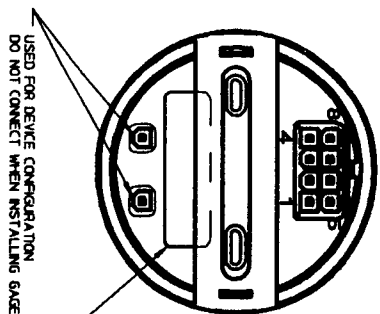


PIN NO.	DESCRIPTION
1	Sense B
2	Keyswitch
3	FET Output
4	V-
5	Sense A
6	Setup Enable
7	Hourmeter Enable
8	V+



PANEL CUTOUT DETAIL WITH KEY

- NOTES:
- 1.0 MOUNTING CONNECTOR: 8-PIN, MOL EX. P/N: 39-01-2095 WITH UL RATING 94V-0 PMS P/N: 39-00-2039 FOR 20 AWG
 - 2.0 52MM METERS ARE PROVIDED IN STANDARD ROUND PACKAGE FOR MOUNTING IN A 52MM DIA DASH PANEL HOLE. SEE DETAIL FOR PANEL MOUNTING WITH KEY.
 - 3.0 MATERIAL: CASE-POLYCARBONATE LENS-CLEAR POLYETHYLENE TEREPHTHALATE (PET)
 - 4.0 COVER-POLYCARBONATE OVERLAY-POLYCARBONATE MOUNTING BRACKET-POLYCARBONATE
 - 5.0 ENVIRONMENTAL PROTECTION FRONT P-45, REAR P-40.
 - 6.0 WEIGHT: 0.08 kg



REVISIONS

SN	EN	DESCRIPTION	DATE	APP
1	----	CREATED DRAWING	4/15/02	VAI
2	----	UPDATED P/N OUT ON CONNECTOR AND TABLE	8-1-02	VAI
A	0000	RELEASE TO PRODUCTION	8-1-02	VAI
B	10673	ADDED MOUNTING BRKT WITH KEY, REAR COVER WITH ALIGNMENT POSIS	8/29/03	VAI

FOR REFERENCE ONLY

RELATED DRAWINGS

UNLESS OTHERWISE SPECIFIED DIMENSIONS ARE IN MILLIMETERS

TELEPHONES	1 PLACE DEC	2 PLACE DEC	3 PLACE DEC
0 PLACE DEC	0.03	0.03	0.03
1 PLACE DEC	0.1	0.1	0.1
2 PLACE DEC	0.01	0.01	0.01

APPROVALS	DATE
BR	5-13-03
EC	4-18-02
GL	4/15/02
VAI	8-4-02
EP	4/15/02
RM	4-18-02
RF	4/18/02

CURTIS INSTRUMENTS INC. NORTH ROCKA, N.Y. 08149

Outline and Installation Drawing for 30XX Gauge Molex Connector with Membrane Switch

DATE: 18583

SIZE: B

SHEET: 1 OF 1

REV: B